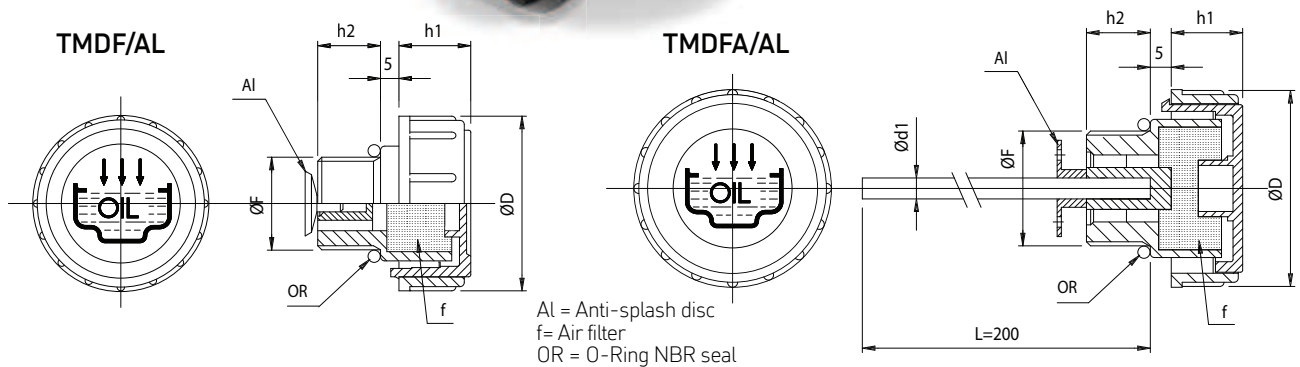


TMDF/AL - FILLER BREATHERS WITH ANTI-SPLASH DISC AND FILTER

TMDFA/AL - FILLER BREATHERS WITH DIPSTICK, ANTI-SPLASH DISC AND FILTER



-Round headed filler breather, with vertical ribs for better grip, threaded connection.

-Standard production: black with red lid complete with graphic fill symbol and the text "OIL"; the models 114-112 have an option for a yellow lid, available with text "DIESEL" upon request.

-Steel level dipstick with zinc phosphate surface (round section) standard length 200mm.; on orders that exceed 250 pieces, the dipstick can be cut to custom length, and notches can be placed to indicate "MIN-MAX" oil level.

-Manufactured from Polyamide 66 ensuring high mechanical resistance at both low and higher temperatures (**max working temp. 100°C-212 F**); oil resistant O-Ring seal 70 Shore.

-The polyurethane air filter is located under the lid, easy to

remove clean and reinstall.

-These filler breathers allow air passage at high volume, through the vents located on the bottom of the head; they are recommended to be used in systems where frequent oil level changes take place in a short amount of time, allowing the air to enter and leave the system, without any unwanted air pressure increase or decrease; the **airflow capacity (P)** indicated on the table expressed in liters/minute with a tank pressure of 50 mbar (0.73 psi).

-An additional **anti-splash disc** is fitted under the thread to protect the vent sections against occasional oil splashes (either during the running of the machine or during transport of the hydraulic unit).

-NPT Threads available on 3/8"-1/2"-3/4"-1".

Code		F	P	D	d	d1	h1	h2
TMDF-38/AL	TMDFA-38/AL	G 3/8"	110	36	23	4	17	11
TMDF-12/AL	TMDFA-12/AL	G 1/2"	200	41	28	4	18	12
TMDF-34/AL	TMDFA-34/AL	G 3/4"	210	47	33	5	17	12
TMDF-1/AL	TMDFA-1/AL	G 1"	285	52	38	5	20	12
TMDF-114/AL		G 1 1/4"	550	63	49	5	23	13
TMDF-16.15/AL	TMDFA-16.15/AL	M 16x1.5	110	36	23	4	17	11
TMDF-18.15/AL	TMDFA-18.15/AL	M 18x1.5	200	41	28	4	17.5	12
TMDF-20.15/AL	TMDFA-20.15/AL	M 20x1.5	200	41	28	4	17.5	12
TMDF-22.15/AL	TMDFA-22.15/AL	M 22x1.5	200	41	28	4	17.5	12