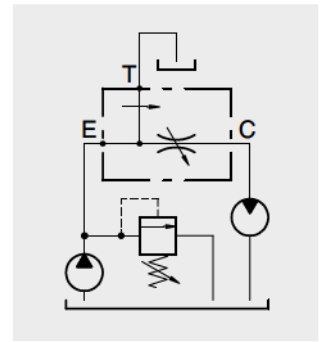


Operation

The valve is designed to provide flow adjustment from E to C by a variation of the oil flow section. Exceeding flow is concurrently sent to tank T. Best performance of the valve is assured when the flow in E is at least 10% bigger than in C. Pressure variations in C do not alter the checked oil flow. On the contrary, eventual back pressure in T may cause inconstant capacity in C. Use of a pressure relief valve between the pump and the flow regulator is strictly recommended.



Performance

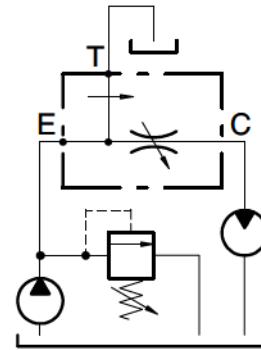
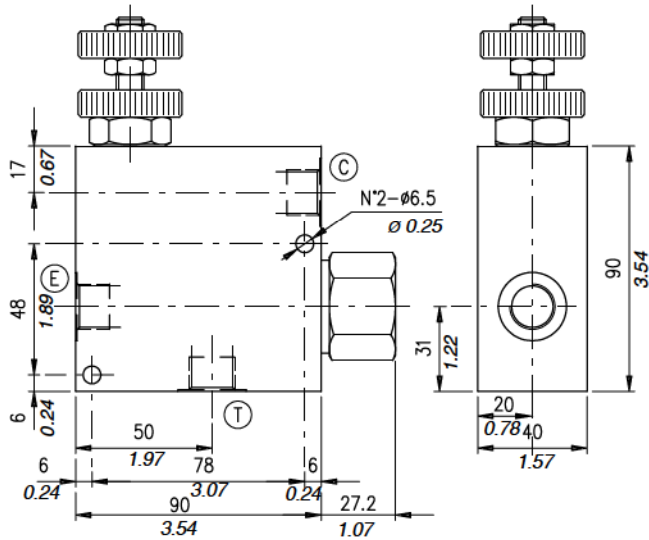
Body Valves

Type VPR/3/ET..	Flow		Max. pressure	Weight	
	l/min	US gpm		kg	lb
VPR/3/ET 38	E=50 C=30	E=13 C=7.9	210 bar -3050 psi- (aluminium body) 350 bar -5100 psi- (steel body)	1,07 (aluminium) 2,48 (steel)	2,36 (aluminium) 5,47 (steel)
VPR/3/ET 12	E=90 C=50	E=24 C=13		1,02 (aluminium) 2,43 (steel)	2,25 (aluminium) 5,36 (steel)
VPR/3/ET 34	E=150 C=90	E=40 C=24		2,22 (aluminium) 4,42 (steel)	4,89 (aluminium) 9,74 (steel)
VPR/3/ET 100	E=240 C=150	E=63 C=40		4,00 (aluminium) 9,00 (steel)	8,82 (aluminium) 19,84 (steel)
VPR/3/ET 114	E=350 C=250	E=92 C=66		9,50 (aluminium) 23,90 (steel)	20,94 (aluminium) 52,69 (steel)

Type VPR/3/ET 38 (12)

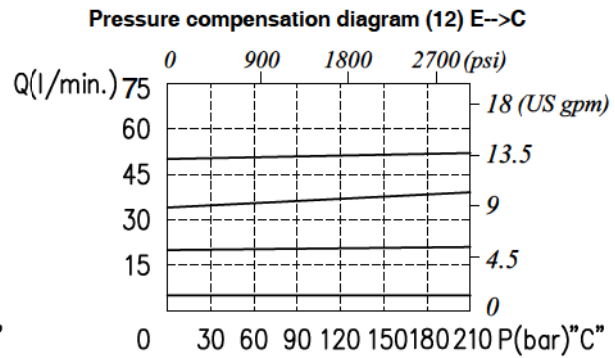
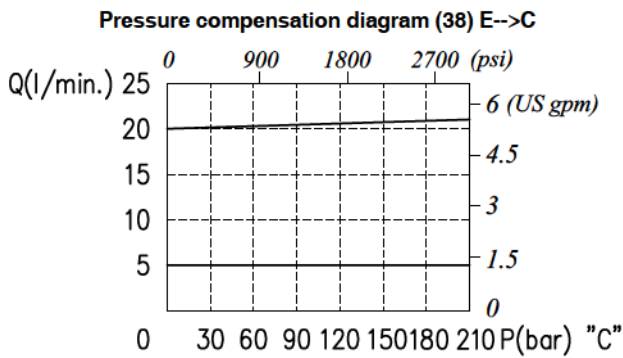
3 ways flow regulator, pressure compensated, exceeding flow to tank

Dimensions and hydraulic circuit



VPR/3/ET	E	T	C
38	G 3/8	G 3/8	G 3/8
12	G 1/2	G 1/2	G 1/2

Rating diagrams



Order code

VPR / 3 / ET □ / □ / □

Port size

38 G 3/8
12 G 1/2

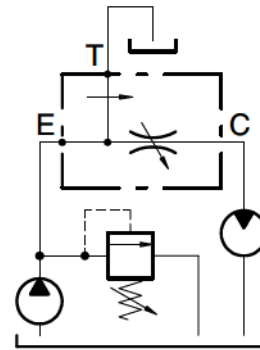
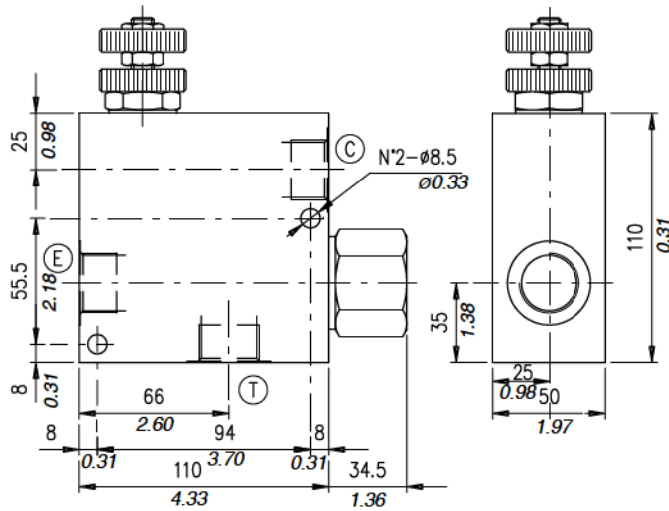
Adjustments
(see page 122)

S (screw)
V (handknob)
L (lever)
MG (handknob calibrated *m.a*)
MGB (handknob calibrated *f.a*)

Body material

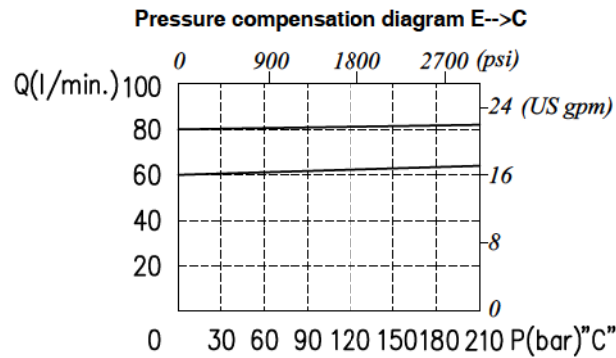
_Aluminium
ac Steel

Dimensions and hydraulic circuit



E	T	C
G 3/4	G 3/4	G 3/4

Rating diagrams



Order code

VPR /3 /ET 34 / □ / □

Adjustments
(see page 122)

- S** (screw)
- V** (handknob)
- L** (lever)
- MG** (handknob calibrated *m.a*)
- MGB** (handknob calibrated *f.a*)

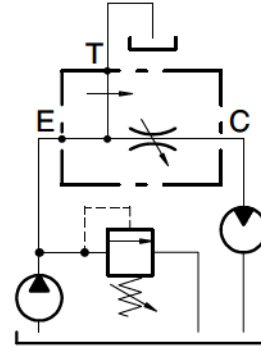
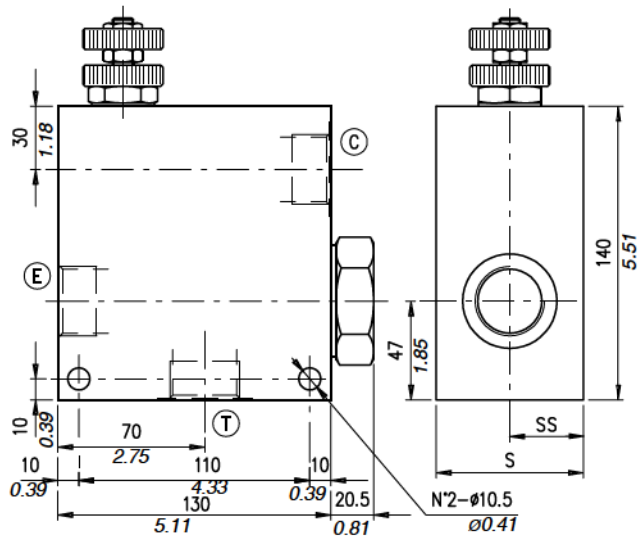
Body material

- _ Aluminium
- ac Steel

Type VPR/3/ET 100

3 ways flow regulator, pressure compensated, exceeding flow to tank

Dimensions and hydraulic circuit



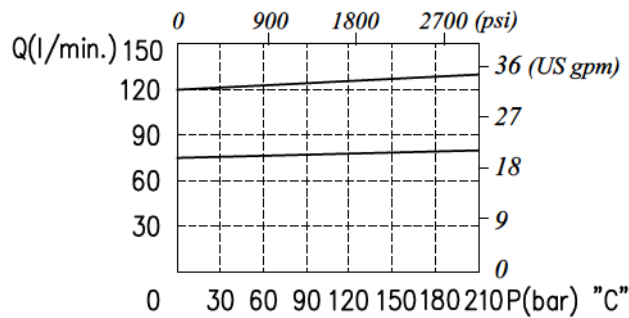
E	T	C
G 1	G 1	G 1

S	SS	Material
70 - 2.75	35 - 1.38	Aluminium
65 - 2.56	32.5 - 1.28	Steel

Dimensions are in mm - in

Rating diagrams

Pressure compensation diagram E→C



Order code

VPR /3 /ET 100 / □ / □

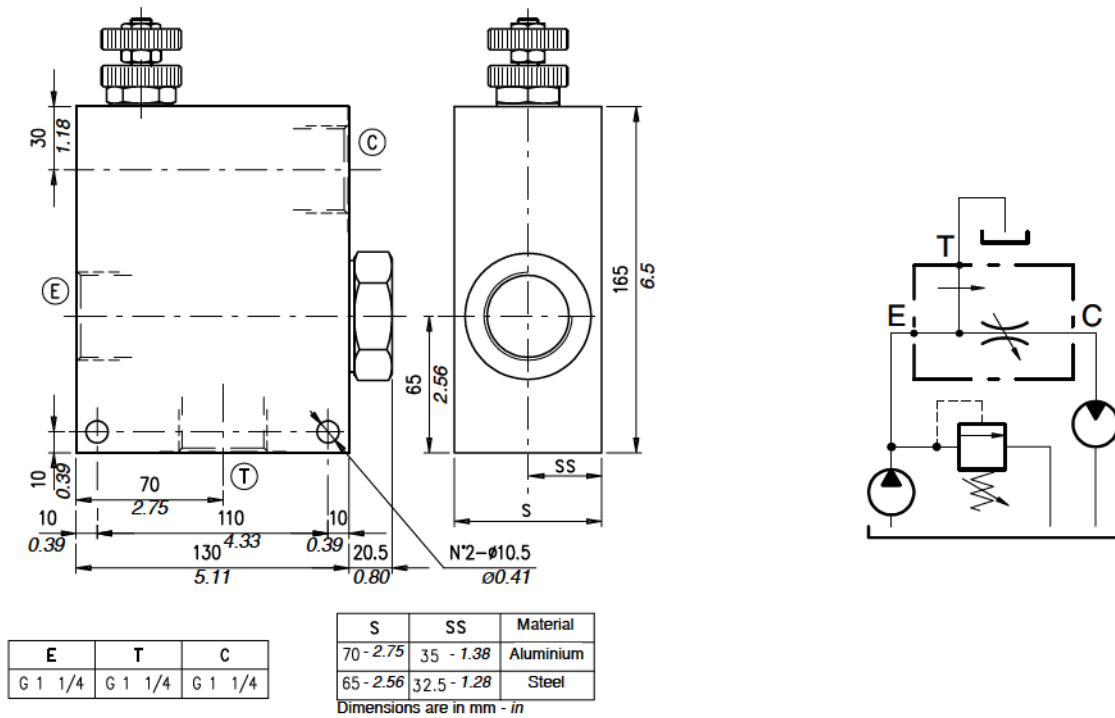
Adjustments
(see page 122)

- S (screw)
- V (handknob)
- L (lever)
- MG (handknob calibrated *m.a*)
- MGB (handknob calibrated *f.a*)

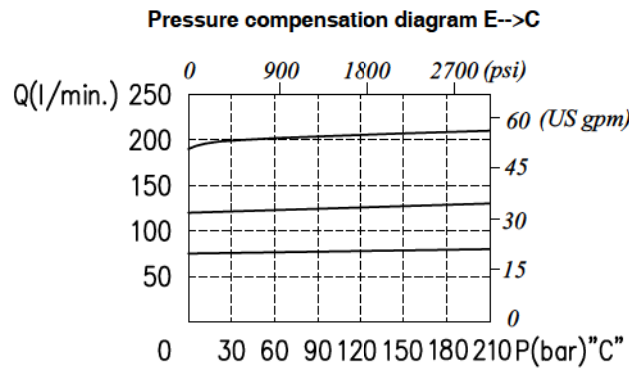
Body material

- _ Aluminium
- ac Steel

Dimensions and hydraulic circuit



Rating diagrams



Order code

VPR / 3 / ET 114 / □ / □

<p>Adjustments (see page 122)</p> <p>S (screw) V (handknob) L (lever) MG (handknob calibrated <i>m.a</i>) MGB (handknob calibrated <i>f.a</i>)</p>	<p>Body material</p> <p>_ Aluminium ac Steel</p>
--	---