



Sluitingen / Shackles

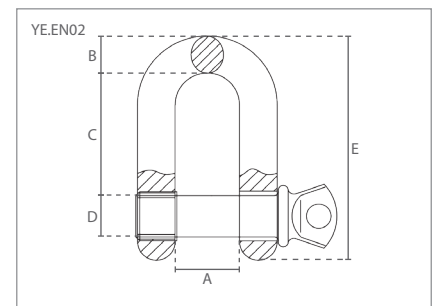
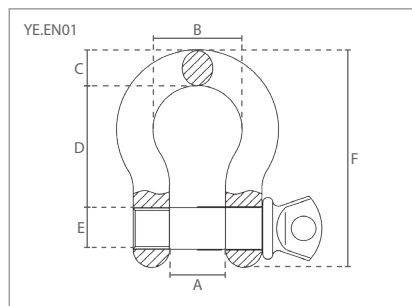
1. Harpsluitingen met borstbout / Screw pin anchor shackles
2. D-sluitingen met borstbout / Screw pin chain shackles

Eigenschappen

- » Volgens EN 13889 en U.S. Fed Spec RR-C-271.
- » Gesmeed en thermisch verzinkt.
- » Gemarkeerd met: CE / DELTA / WLL / Batch / 6
- » Bedrijfstemperatuur: -20°C - +200°C
- » Geleverd met testcertificaat en CE-conformiteitsverklaring.

Features

- » According to EN 13889 and U.S. Fed Spec RR-C-271.
- » Forged and hot-dip galvanized.
- » Marked with: CE / DELTA / WLL / Batch / 6
- » Operating temperature: -20°C - +200°C
- » Supplied with test certificate and CE declaration of conformity.



1 Specificaties / Specifications				Afmetingen / Dimensions (mm)					
Artikel nummer	Capaciteit / Capacity	MBL	Gewicht / Weight	A	B	C	D	E	F
Article code	ton	ton	kg						
YE.EN01.01	1.00	6.00	0.2	17	26	10	36	11	64
YE.EN01.01.5	1.50	9.00	0.2	19	26	12	42	13	74
YE.EN01.02	2.00	12.00	0.3	21	34	14	47	16	85
YE.EN01.03.25	3.25	19.5	0.7	27	43	16	60	19	107
YE.EN01.04.75	4.75	28.5	1.1	32	51	19	71	22	127
YE.EN01.06.50	6.50	39.00	1.7	37	58	23	83	25	148
YE.EN01.08.50	8.50	51.00	2.5	43	64	26	95	28	167
YE.EN01.09.50	9.50	57.00	3.8	46	74	30	100	32	190
YE.EN01.12	12.00	72.00	5.0	52	83	33	107	35	210
YE.EN01.13.5	13.50	81.00	6.1	57	92	36	122	38	233
YE.EN01.17	17.00	102.00	8.2	61	98	39	135	42	254
YE.EN01.25	25.00	150.00	16.9	74	126	47	145	51	314
YE.EN01.35	35.00	210.00	21.6	83	146	53	177	57	348
YE.EN01.55	55.00	330.00	38.9	105	184	80	266	71	453

2 Specificaties / Specifications				Afmetingen / Dimensions (mm)				
Artikel nummer	Capaciteit / Capacity	MBL	Gewicht / Weight	A	B	C	D	E
Article code	ton	ton	kg					
YE.EN02.01	1.00	6.00	0.2	17	10	30	11	59
YE.EN02.01.50	1.50	9.00	0.2	19	12	35	13	68
YE.EN02.02.00	2.00	12.00	0.3	21	13	40	16	77
YE.EN02.03.25	3.25	19.5	0.6	27	16	50	19	98
YE.EN02.04.75	4.75	28.5	1.0	32	19	55	22	117
YE.EN02.06.50	6.50	39.00	1.5	37	23	70	25	135
YE.EN02.08.50	8.50	51.00	2.2	43	26	80	28	153
YE.EN02.09.50	9.50	57.00	3.2	46	29	90	32	172
YE.EN02.12	12.00	72.00	4.5	52	33	100	35	191
YE.EN02.13.5	13.50	81.00	5.6	57	36	110	38	207
YE.EN02.17	17.00	102.00	7.3	61	38	120	42	230
YE.EN02.25	25.00	150.00	13.2	74	45	145	51	279
YE.EN02.35	35.00	210.00	20.2	83	53	170	57	325
YE.EN02.55	55.00	330.00	31.5	105	63	200	68	365



Sluitingen / Shackles

3. Harpsluitingen met moerbout / Bolt type anchor shackles

4. D-sluitingen met moerbout / Bolt type chain shackles

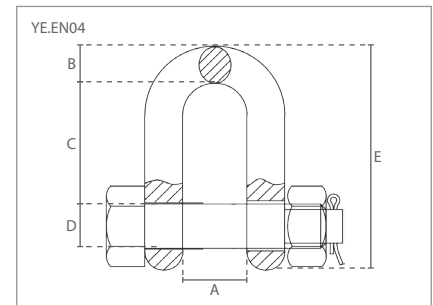
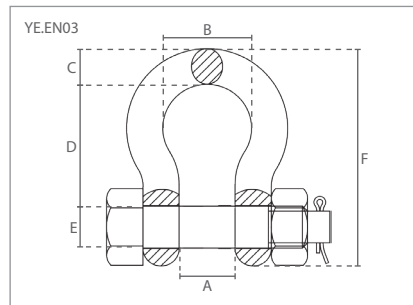
Eigenschappen

- » Volgens EN 13889 en U.S. Fed Spec RR-C-271.
- » Gesmeed en thermisch verzinkt.
- » Gemarkeerd met: CE / DELTA / WLL / Batch / 6
- » Bedrijfstemperatuur: -20°C - +200°C
- » Geleverd met testcertificaat en CE-conformiteitsverklaring.



Features

- » According to EN 13889 and U.S. Fed Spec RR-C-271.
- » Forged and hot-dip galvanized.
- » Marked with: CE / DELTA / WLL / Batch / 6
- » Operating temperature: -20°C - +200°C
- » Supplied with test certificate and CE declaration of conformity.



3 Specifications / Specificaties				Afmetingen / Dimensions (mm)					
Artikel nummer	Capaciteit / Capacity	MBL	Gewicht / Weight	A	B	C	D	E	F
Article code	ton	ton	kg						
YE.EN03.001	1.00	6.00	0.2	17	26	10	36	11	64
YE.EN03.001.5	1.50	9.00	0.2	19	30	12	42	13	74
YE.EN03.002	2.00	12.00	0.4	21	34	14	47	16	85
YE.EN03.003.25	3.25	19.5	0.7	27	43	18	60	19	107
YE.EN03.004.75	4.75	28.5	1.2	32	51	21	71	22	127
YE.EN03.006.5	6.50	39.00	1.8	37	58	25	83	25	148
YE.EN03.008.5	8.50	51.00	2.7	43	69	27	95	28	167
YE.EN03.009.5	9.50	57.00	3.9	46	74	32	107	32	190
YE.EN03.012	12.00	72.00	5.7	52	83	35	122	35	210
YE.EN03.013.5	13.50	81.00	6.9	57	92	36	135	38	233
YE.EN03.017	17.00	102.00	8.9	61	98	41	145	42	254
YE.EN03.025	25.00	150.00	18	74	126	58	177	51	314
YE.EN03.035	35.00	210.00	25	83	146	61	195	57	348
YE.EN03.055	55.00	330.00	45	125	180	78	263	70	450
YE.EN03.085	85.00	510.00	69	140	195	80	320	82	545
YE.EN03.120	120.00	720.00							
YE.EN03.150	150.00	900.00							

4 Specifications / Specificaties				Afmetingen / Dimensions (mm)				
Artikel nummer	Capaciteit / Capacity	MBL	Gewicht / Weight	A	B	C	D	E
Article code	ton	ton	kg					
YE.EN04.001	1.00	6.00	0.2	17	10	30	11	59
YE.EN04.001.5	1.50	9.00	0.2	19	12	35	13	68
YE.EN04.002	2.00	12.00	0.3	21	13	40	16	77
YE.EN04.003.25	3.25	19.5	0.7	27	18	50	19	98
YE.EN04.004.75	4.75	28.5	1.1	32	21	55	22	117
YE.EN04.006.5	6.50	39.00	1.7	37	25	70	25	136
YE.EN04.008.5	8.50	51.00	2.4	43	27	80	28	153
YE.EN04.009.5	9.50	57.00	3.6	46	32	90	32	173
YE.EN04.012	12.00	72.00	5.0	52	35	100	35	191
YE.EN04.013.5	13.50	81.00	6.4	57	35	110	38	207
YE.EN04.017	17.00	102.00	8.1	61	41	120	42	230
YE.EN04.025	25.00	150.00	15.4	74	54	145	51	279
YE.EN04.035	35.00	210.00	22.9	83	61	170	57	325
YE.EN04.055	55.00	330.00						



Kettingen / Chains

1. Kortschalm lastkettingen /  
Short link load chains  
Grade 80

2. Kortschalm lastkettingen /  
Short link load chains  
Grade 100

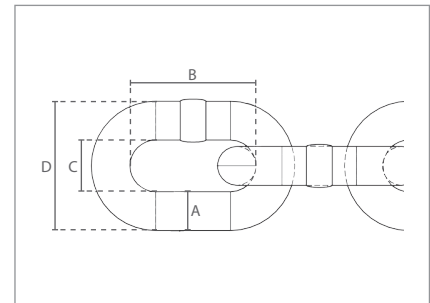


Eigenschappen

- » Grade 80 volgens EN 818-2.
- » Elektroforese afwerking.
- » Geleverd met testcertificaat en CE-conformiteitsverklaring.

Features

- » Grade 80 according to EN 818-2.
- » Electrophoresis finish.
- » Supplied with test certificate and CE declaration of conformity.



1 Specificaties / Specifications				Afmetingen / Dimensions (mm)			
Artikel nummer	Capaciteit / Capacity	Breaking force	Gewicht / Weight	A	B	C	D
Article code	ton	kN	kg/m				
CEM.06X18	1.12	45.20	0.9	6	18	8	22
CEM.07X21	1.50	61.60	1.1	7	21	9	26
CEM.08X24	2.00	80.40	1.4	8	24	10	30
CEM.10X30	3.15	126.00	2.2	10	30	13	37
CEM.13X39	5.30	212.00	3.7	13	39	17	48
CEM.16X48	8.00	322.00	5.6	16	48	21	59
CEM.20X60	12.50	503.00	8.8	20	60	26	74
CEM.22X66	15.00	608.00	10.8	22	66	29	81
CEM.26X78	21.20	849.00	15.2	26	78	34	96
CEM.32X96	31.50	1290.00	23.0	32	96	42	118

2 Specificaties / Specifications				Afmetingen / Dimensions (mm)			
Artikel nummer	Capaciteit / Capacity	Breaking force	Gewicht / Weight	A	B	C	D
Article code	ton	kN	kg/m				
CEM.01.06X18	1.40	56.00	0.9	6	18	8	22
CEM.01.08X24	2.50	100.00	1.5	8	24	10	30
CEM.01.10X30	4.00	160.00	2.2	10	30	13	37
CEM.01.13X39	6.70	268.00	3.7	13	39	17	48
CEM.01.16X48	10.00	400.00	5.7	16	48	21	59
CEM.01.20X60	16.00	640.00	8.9	20	60	26	74



Kettingen / Chains

3. Lastketting voor kettingtakels met motoraandrijving / Load chain for power driven chain hoists



4. Lastketting voor handgedreven kettingtakels / Load chain for hand powered chain hoists



5. Roestvrijstalen lastkettingen / Stainless load chains

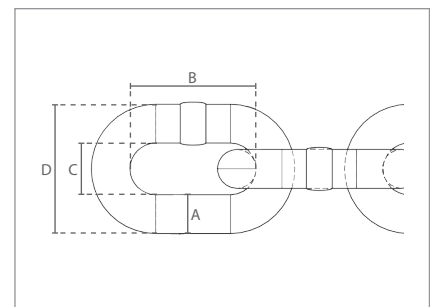


Eigenschappen

- » Gekalibreerd.
- » Lastketting voor kettingtakels met motoraandrijving volgens EN 818-7-DAT/DT.
- » Lastketting voor handgedreven kettingtakels volgens EN 818-7-T.
- » Geleverd met testcertificaat en CE-conformiteitsverklaring.

Features

- » Calibrated.
- » Load chain for power driven chain hoists according to EN 818-7-DAT/DT.
- » Load chain for hand powered chain hoists according to EN 818-7-T.
- » Supplied with test certificate and CE declaration of conformity.



3 Specificaties / Specifications				Afmetingen / Dimensions (mm)			
Artikel nummer	Capaciteit / Capacity	Breaking force	Gewicht / Weight	A	B	C	D
Article code	ton	kN	kg/m				
DFK.4X12	0.50	20.00	0.4	4	12	6	13
DFK.5X15	0.75	30.00	0.6	5	15	7	14
DFK.6.3X19.1	1.35	54.00	0.9	6.3	19.1	9	21
DFK.7.1X20.2	1.60	64.00	1.1	7.1	20.2	9	22
DFK.7.1X21.0	1.60	64.00	1.1	7.1	21	9	22
DFK.8X24	2.00	80.00	1.6	8	24	10	26
DFK.10X30	3.20	128.00	2.3	10	30	12	32
DFK.11.2X34	4.00	160.00	2.7	11.2	34	15	37
LI.13X36	5.30	212.00	3.7	13	36	16	42
LI.16X45	8.00	322.00	5.3	16	45	19	51

4 Specificaties / Specifications				Afmetingen / Dimensions (mm)	
Artikel nummer	Capaciteit / Capacity	Breaking force	Gewicht / Weight	A	B
Article code	ton	kN	kg/m		
LI.4X12	0.50	20.00	0.4	4	12
DB.LI.04X12	0.50	20.00	0.4	4	12
LI.5X15	0.75	30.00	0.6	5	15
LI.5.6X15.7	0.75	30.00	0.8	5.6	15.7
LI.6X18	1.10	44.00	0.9	6	18
DB.LI.06x18	1.10	44.00	0.9	6	18
LI.7.1X19.9	1.50	60.00	1.3	7.1	19.9
LI.8X24	2.00	80.00	1.5	8	24
LI.10X30	3.20	128.00	2.3	10	30

5 Specificaties / Specifications				Afmetingen / Dimensions (mm)	
Artikel nummer	Capaciteit / Capacity	Breaking force	Gewicht / Weight	A	B
Article code	ton	kN	kg/m		
LI.RVS.6X18	0.75	30.00	0.8	6	18
LI.RVS.8X24	1.25	50.00	1.4	8	24
LI.RVS.10X30	2.00	80.00	2.2	10	30



Kettingen / Chains

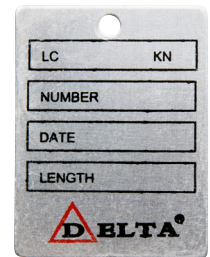
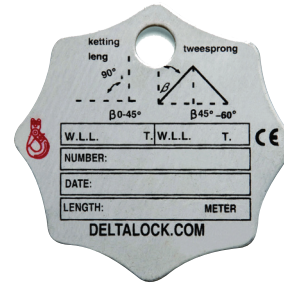
- 6. Glans verzinkt handkettingen / Galvanized hand chains
- 7. Roestvrijstalen handkettingen / Stainless hand chains



- 8. Bevestigingskabels / Self-locking ropes

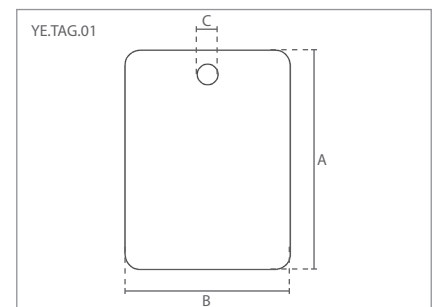
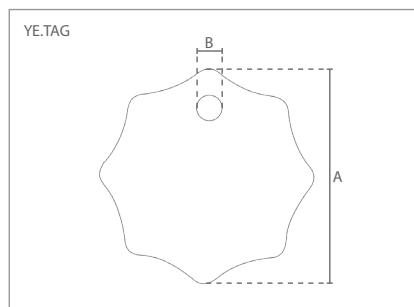
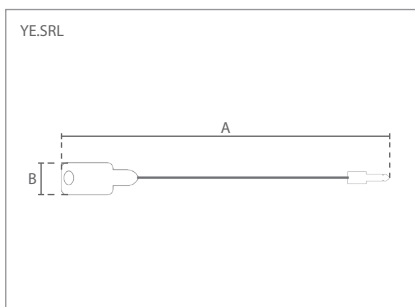


- 9. Identificatie platen / Identification tags



6 Specificaties / Specifications		Afmetingen / Dimensions (mm)	
Artikel nummer	Gewicht / Weight	A	B
Article code	kg/m		
YF.3X15	0.2	3	15
YF.5X23.7	0.4	5	23.7
YF.5X25	0.4	5	25

7 Specificaties / Specifications		Afmetingen / Dimensions (mm)	
Artikel nummer	Gewicht / Weight	A	B
Article code	kg/m		
YF.5X25.RVS	0.4	5	25



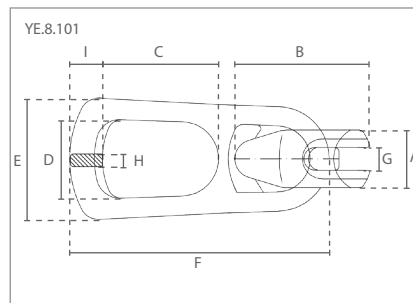
8 Specificaties / Specifications		Afmetingen / Dimensions (mm)	
Artikel nummer	Gewicht / Weight	A	B
Article code	kg		
YE.SRL.19	0.02	190	15
YE.SRL.25	0.02	250	15

9 Specificaties / Specifications		Afmetingen / Dimensions (mm)	
Artikel nummer	Gewicht / Weight	A	B
Article code	kg		
YE.TAG.12	0.02	70	10
YE.TAG.34	0.02	70	10

10 Specificaties / Specifications		Afmetingen / Dimensions (mm)		
Artikel nummer	Gewicht / Weight	A	B	C
Article code	kg			
YE.TAG.01	0.02	60	45	5



5. Kogelkophaken /  
Lifting clutches



5	Specificaties / Specifications		Afmetingen / Dimensions (mm)								
Artikel nummer	Capaciteit / Capacity	Gewicht / Weight	A	B	C	D	E	F	G	H	I
Article code	ton	kg									
YE.8.101.013	1.00 - 1.30	0.9	34	81	71	45	73	157	12	13	21
YE.8.101.025	1.50 - 2.50	1.3	42	99	85	57	88	190	16	14	27
YE.8.101.050	3.00 - 5.00	3.3	55	133	88	69	110	233	22	18	35
YE.8.101.100	6.00 - 10.00	10.0	74	176	116	83	161	337	30	27	51
YE.8.101.200	12.00 - 20.00	20.4	110	228	134	108	182	437	42	31	77
YE.8.101.320	32.00	46.5	154	307	189	164	272	560	52	40	102