



## European Technical Approval ETA-11/0284

English translation prepared by DIBt - Original version in German language

Handelsbezeichnung Trade name	HECO-FIX-plus und HECO-TOPIX Schrauben HECO-FIX-plus and HECO-TOPIX self-tapping screws
Zulassungsinhaber Holder of approval	HECO-Schrauben GmbH & Co. KG Dr.-Kurt-Steim-Straße 28 78713 Schramberg DEUTSCHLAND
Zulassungsgegenstand und Verwendungszweck Generic type and use of construction product	HECO-FIX-plus und HECO-TOPIX Schrauben als Holzverbindungsmittel HECO-FIX-plus and HECO-TOPIX-screws for use in timber constructions
Geltungsdauer: Validity:	vom from bis to
Herstellwerke Manufacturing plants	5 September 2011 5 September 2016 HECO-Schrauben GmbH & Co. KG Dr. Kurt-Steim-Straße 28 78713 Schramberg S.C. HECO Schrauben S.R.L. Str. Laminoristilor Nr. 159 RO-405100 Campia Turzii

Diese Zulassung umfasst  
*This Approval contains*

48 Seiten einschließlich 3 Anhänge  
*48 pages including 3 annexes*

## I LEGAL BASES AND GENERAL CONDITIONS

- 1 This European technical approval is issued by Deutsches Institut für Bautechnik in accordance with:
  - Council Directive 89/106/EEC of 21 December 1988 on the approximation of laws, regulations and administrative provisions of Member States relating to construction products<sup>1</sup>, modified by Council Directive 93/68/EEC<sup>2</sup> and Regulation (EC) N° 1882/2003 of the European Parliament and of the Council<sup>3</sup>;
  - Gesetz über das In-Verkehr-Bringen von und den freien Warenverkehr mit Bauprodukten zur Umsetzung der Richtlinie 89/106/EWG des Rates vom 21. Dezember 1988 zur Angleichung der Rechts- und Verwaltungsvorschriften der Mitgliedstaaten über Bauprodukte und anderer Rechtsakte der Europäischen Gemeinschaften (Bauproduktengesetz - BauPG) vom 28. April 1998<sup>4</sup>, as amended by law of 31 October 2006<sup>5</sup>;
  - Common Procedural Rules for Requesting, Preparing and the Granting of European technical approvals set out in the Annex to Commission Decision 94/23/EC<sup>6</sup>.
- 2 Deutsches Institut für Bautechnik is authorized to check whether the provisions of this European technical approval are met. Checking may take place in the manufacturing plant. Nevertheless, the responsibility for the conformity of the products to the European technical approval and for their fitness for the intended use remains with the holder of the European technical approval.
- 3 This European technical approval is not to be transferred to manufacturers or agents of manufacturers other than those indicated on page 1, or manufacturing plants other than those indicated on page 1 of this European technical approval.
- 4 This European technical approval may be withdrawn by Deutsches Institut für Bautechnik, in particular pursuant to information by the Commission according to Article 5(1) of Council Directive 89/106/EEC.
- 5 Reproduction of this European technical approval including transmission by electronic means shall be in full. However, partial reproduction can be made with the written consent of Deutsches Institut für Bautechnik. In this case partial reproduction has to be designated as such. Texts and drawings of advertising brochures shall not contradict or misuse the European technical approval.
- 6 The European technical approval is issued by the approval body in its official language. This version corresponds fully to the version circulated within EOTA. Translations into other languages have to be designated as such.

<sup>1</sup> Official Journal of the European Communities L 40, 11 February 1989, p. 12

<sup>2</sup> Official Journal of the European Communities L 220, 30 August 1993, p. 1

<sup>3</sup> Official Journal of the European Union L 284, 31 October 2003, p. 25

<sup>4</sup> *Bundesgesetzblatt Teil I 1998*, p. 812

<sup>5</sup> *Bundesgesetzblatt Teil I 2006*, p. 2407, 2416

<sup>6</sup> Official Journal of the European Communities L 17, 20 January 1994, p. 34

## II SPECIFIC CONDITIONS OF THE EUROPEAN TECHNICAL APPROVAL

### 1 Definition of product/ products and intended use

#### 1.1 Definition of the construction product

HECO-FIX-plus and HECO-TOPIX screws are self-tapping screws made from special carbon or stainless steel. Screws made from carbon steel are hardened. They have a corrosion protection according to Annex A 1.6. The outer thread diameter is not less than 3.5 mm and not greater than 10.0 mm. The overall length of the screws is ranging from 20 mm to 500 mm. Further dimensions are shown in Annex 3. The washers are made from carbon or stainless steel. The dimensions of the washers are given in Annex 3.

#### 1.2 Intended use

The screws are intended to be used for connecting wood-based members, where requirements for mechanical resistance and stability and safety in use in the sense of the essential requirements N 1 and N 4 of Council Directive 89/106/EEC shall be fulfilled.

The screws are used for connections in load bearing timber structures between wood-based members or between those members and steel members:

- Solid timber (softwood) of strength classes C14 – C40 according to EN 338<sup>7</sup>/ EN 14081-1<sup>8</sup>,
- Glued laminated timber (softwood) of at least strength class GL24c according to EN 1194<sup>9</sup>/ EN 14080<sup>10</sup>,
- Laminated veneer lumber LVL according to EN 14374<sup>11</sup>, arrangement of the screws only perpendicular to the plane of the veneers
- Glued laminated solid timber Duo- and Triobalken according to prEN 14080<sup>12</sup> or national provisions that apply at the installation site
- Cross-laminated timber according to European technical approvals or national provisions that apply at the installation site

The screws may be used for connecting the following wood-based panels to the timber members mentioned above:

- Plywood according to EN 636<sup>13</sup> and EN 13986<sup>14</sup>,
- Oriented Strand Board, OSB according to EN 300<sup>15</sup> and EN 13986,
- Particleboard according to EN 312<sup>16</sup> and EN 13986,

7	EN 338:2009	Timber structures - Strength classes
8	EN 14081-1:2005+A1:2011	Timber structures – Strength graded structural timber with rectangular cross section – Part 1: General requirements
9	EN 1194:1999	Timber structures – Glued laminated timber – Strength classes and determination of characteristic values
10	EN 14080:2005	Timber structures - Glued laminated timber - Requirements
11	EN 14374:2004	Timber structures - Structural laminated veneer lumber - Requirements
12	prEN 14080:2008	Timber structures – Glued laminated timber and Glued laminated solid timber - Requirements
13	EN 636:2003	Plywood - Specifications
14	EN 13986:2004	Wood-based panels for use in construction - Characteristics, evaluation of conformity and marking
15	EN 300:2006	Oriented strand boards (OSB) – Definition, classification and specifications
16	EN 312:2003	Particleboards - Specifications

- Fibreboards according to EN 622-2<sup>17</sup>, EN 622-3<sup>18</sup> and EN 13986,
- Cement-bonded particle boards according to national provisions that apply at the building site,
- Solid-wood panels according to national provisions that apply at the building site.

Wood-based panels shall only be arranged on the side of the screw head.

HECO screws with an outer thread diameter of at least 6 mm may be used for the fixing of thermal insulation material on top of rafters or on wood-based members in vertical façades.

According to EN 1995-1-1<sup>19</sup> the screws made from carbon steel with  $d > 4$  mm may be used in timber structures subject to climate conditions defined by service classes 1 and 2. According to EN 1995-1-1 the screws made from carbon steel with  $d \leq 4$  mm may be used in timber structures subject to climate conditions defined by service class 1. Regarding environmental conditions national provisions shall apply at the building site.

Screws made of stainless steel may also be used in conditions defined by service class 3. The scope of the screws shall be defined according to national provisions that apply at the installation site.

The screws may be used for connections subject to static or quasi static loading.

The provisions made in this European technical approval are based on an assumed working life of the screws of 50 years, provided that the conditions laid down in section 4.2 for the installation are met. The indications given on the working life cannot be interpreted as a guarantee given by the producer, but are to be regarded only as a means for choosing the right products in relation to the expected economically reasonable working life of the works.

## 2 Characteristics of product

	Characteristic	Assessment of characteristic
2.1 Mechanical resistance and stability <sup>*)</sup>		
2.1.1	Dimensions	See Annex 3
2.1.2	Characteristic yield moment	See Annex 1
2.1.3	Characteristic withdrawal parameter	See Annex 1
2.1.4	Characteristic head pull-through parameter	See Annex 1
2.1.5	Characteristic tensile strength	See Annex 1
2.1.6	Characteristic yield strength	No performance determined
2.1.7	Characteristic torsional strength	See Annex 1
2.1.8	Insertion moment	See Annex 1

<sup>17</sup>

EN 622-2:2004 Fibreboards – Specifications – Part 2: Requirements for hardboards

<sup>18</sup>

EN 622-3:2004 Fibreboards - Specifications - Part 3: Requirements for medium boards

<sup>19</sup>

EN 1995-1-1:2004+A1:2008 Design of timber structures – Part 1-1: General – Common rules and rules for buildings

<sup>\*)</sup>

See section 2.1 of this ETA

	Characteristic	Assessment of characteristic
2.1.9	Spacing, end and edge distances of the screws and minimum thickness of the wood based material	See Annex 1
2.1.10	Slip modulus for mainly axially loaded screws	See Annex 1
<b>2.2 Safety in case of fire</b>		
2.2.1	Reaction to fire	Self-tapping screws are made of steel classified as Euroclass A1 in accordance with EC decision 96/603/EC, as amended by EC decision 2000/605/EC.
<b>2.3 Hygiene, health and the environment</b>		
2.3.1	Content and/or release of dangerous substances	The product does not contain cadmium.  There is no risk that chrome VI – contained in the chromated carbon steel screws – will be released by consideration of all possible release scenarios.**)
<b>2.4 Safety in use</b>		
2.4.1	Dimensions	See Annex 3
2.4.2	Characteristic yield moment	See Annex 1
2.4.3	Characteristic withdrawal parameter	See Annex 1
2.4.4	Characteristic head pull-through parameter	See Annex 1
2.4.5	Characteristic tensile strength	See Annex 1
2.4.6	Characteristic yield strength	No performance determined
2.4.7	Characteristic torsional strength	See Annex 1
2.4.8	Insertion moment	See Annex 1
2.4.9	Spacing, end and edge distances of the screws and minimum thickness of the wood based material	See Annex 1
2.4.10	Slip modulus for mainly axially loaded screws	See Annex 1

\*\*)

In accordance with <http://europa.eu.int/-/comm/enterprise/construction/internal/dangsub/dangmain.htm>. In addition to the specific clauses relating to dangerous substances contained in this European technical approval, there may be other requirements applicable to the products falling within its scope (e.g. transposed European legislation and national laws, regulations and administrative provisions). In order to meet the provisions of the EU Construction Products Directive, these requirements need also to be complied with, when and where they apply.

	Characteristic	Assessment of characteristic
	Protection against noise	Not relevant
	Energy economy and heat retention	Not relevant
2.5 General aspects relating to fitness for use		
2.5.1	Durability against corrosion	See Annex 1
2.5.2	Serviceability	The assessment for mechanical resistance and stability as well as durability against corrosion covers this property.

## 2.1 Mechanical resistance and stability

Annexes 1 to 2 contain the load-carrying capacities for HECO-FIX-plus and HECO-TOPIX screws.

The design and construction shall be carried out according to national provisions that apply at the installation site in line with the partial safety factor format, e.g. in accordance with EN 1995-1-1.

## 3 Evaluation and attestation of conformity and CE marking

### 3.1 System of attestation of conformity

According to the decision 97/638/EC of the European Commission<sup>20</sup> the system 2+ of attestation of conformity applies.

This system of attestation of conformity is defined as follows:

System 2+: Declaration of conformity of the product by the manufacturer on the basis of:

- (a) Tasks for the manufacturer:
  - (1) initial type-testing of the product;
  - (2) factory production control;
  - (3) testing of samples taken at the factory in accordance with a prescribed test plan.
- (b) Tasks for the approved body:
  - (4) certification of factory production control on the basis of:
    - initial inspection of factory and of factory production control;
    - continuous surveillance, assessment and approval of factory production control.

Note: Approved bodies are also referred to as "notified bodies".

### 3.2 Responsibilities

#### 3.2.1 Tasks for the manufacturer

##### 3.2.1.1 Factory production control

The manufacturer shall exercise permanent internal control of production. All the elements, requirements and provisions adopted by the manufacturer shall be documented in a systematic manner in the form of written policies and procedures, including records of results performed. This production control system shall insure that the product is in conformity with this European technical approval.

<sup>20</sup> Official Journal of the European Communities L 268/36 of 19 September 1997

The manufacturer may only use raw materials stated in the technical documentation of this European technical approval supplied with the relevant inspection documents as laid down in the control plan.

The factory production control shall be in accordance with the "control plan relating to the European technical approval ETA-11/0284 issued on 5 September 2011" which is part of the technical documentation of this European technical approval. The control plan is laid down in the context of the factory production control system operated by the manufacturer and deposited with Deutsches Institut für Bautechnik.<sup>21</sup>

The incoming raw materials shall be subject to controls and tests by the manufacturer before acceptance. Check of materials, such as steel rods or wire, shall include control of the inspection documents presented by suppliers (comparison with nominal values) by verifying dimension and determining material properties, e.g. chemical composition, mechanical properties and corrosion protection.

The manufactured components shall be checked visually and for dimensions. The control plan includes details of the extent, nature and frequency of testing and controls to be performed within the factory production control.

The results of factory production control shall be recorded and evaluated in accordance with the provisions of the control plan. The records shall include at least the following information:

- Designation of the product, basic material and components,
- Type of control or testing,
- Date of manufacture of the product and date of testing of the product or basic material and components,
- Result of control and testing and, if appropriate, comparison with requirements,
- Signature of person responsible for factory production control.

The records shall be presented to the approved body involved in the continuous surveillance and shall be presented to Deutsches Institut für Bautechnik on request.

#### 3.2.1.2 Initial type testing

For initial type-testing the results of the tests performed as part of the assessment for the European technical approval may be used unless there are changes in the production line or plant. In such cases the necessary initial type-testing has to be agreed between Deutsches Institut für Bautechnik and the notified body.

#### 3.2.1.3 Other tasks for the manufacturer

The manufacturer shall, on the basis of a contract, involve a body which is approved for the tasks referred to in section 3.1 in the field of screws in order to undertake the actions laid down in section 3.2.2. For this purpose, the control plan referred to in sections 3.2.1.1 and 3.2.2 shall be handed over by the manufacturer to the approved body involved.

The manufacturer shall make a declaration of conformity, stating that the construction product is in conformity with the provisions of the European technical approval ETA-11/0284 issued on 5 September 2011.

### 3.2.2 Tasks for the approved bodies

The approved body shall perform the

- initial inspection of factory and of factory production control,

<sup>21</sup> The "control plan" is a confidential part of the European technical approval and only handed over to the approved body involved in the procedure of attestation of conformity. See section 3.2.2.

- continuous surveillance, assessment and approval of factory production control, in accordance with the provisions laid down in the control plan.

#### 3.2.2.1 Initial inspection of factory and factory production control

The approved body shall ascertain that, in accordance with the control plan, the factory, in particular the staff and equipment, and the factory production control, are suitable to ensure a continuous and orderly manufacturing of the screws with this European technical approval.

#### 3.2.2.2 Continuous surveillance

The approved body shall control the documentation of the factory production control (FPC) twice a year including an annual visit of the factory for routine inspections. It shall be verified that the system of factory production control and the specified manufacturing processes are maintained, taking account of the control plan.

#### 3.2.2.3 Other tasks of the approved body

The approved body shall retain the essential points of its actions referred to above and state the results obtained and conclusions drawn in a written report.

The results of certification and continuous surveillance shall be made available on demand by the certification body to Deutsches Institut für Bautechnik.

The approved certification body involved by the manufacturer shall issue an EC certificate of conformity of the factory production control stating the conformity with the provisions of this European technical approval.

In cases where the provisions of the European technical approval and its control plan are no longer fulfilled the certification body shall withdraw the certificate of conformity and inform Deutsches Institut für Bautechnik without delay.

### 3.3 CE marking

The CE marking shall be affixed on each packaging of the self-tapping screws. The letters "CE" shall be followed by the identification number of the approved certification body and be accompanied by the following additional information:

- the name and/or identifying mark of the producer (legal entity responsible for the manufacture),
- the last two digits of the year in which the CE marking was affixed,
- the number of the EC certificate for the factory production control,
- the number of the European technical approval,
- name of the product,
- outer thread diameter and length of the self-tapping screws,
- type and mean thickness of the corrosion protection, if relevant,
- Stainless steel including the material number, if relevant.

## 4 Assumptions under which the fitness of the product for the intended use was favourably assessed

### 4.1 Manufacturing

HECO self-tapping screws shall be manufactured in accordance with the provisions of this European technical approval using the manufacturing processes as identified at the inspection of the plant by the notified inspection body and laid down in the technical documentation.



The European technical approval is issued for the product on the basis of agreed data/information, deposited with Deutsches Institut für Bautechnik, which identifies the product that has been assessed and judged. Changes to the product or production process, which could result in this deposited data/information being incorrect, shall be notified to Deutsches Institut für Bautechnik before the changes are introduced. Deutsches Institut für Bautechnik will decide whether or not such changes affect the approval and consequently the validity of the CE marking on the basis of the approval and if so whether further assessment or alterations to the approval shall be necessary.

#### 4.2 Installation

The screws are driven into the wood-based member without pre-drilling or in pre-drilled holes with a diameter not exceeding the inner thread diameter  $d_1$ . The diameter of the pre-drilled hole may be up to 0,5 mm less than the inner thread diameter  $d_1$ . The screw holes in steel members shall be pre-drilled with an adequate diameter greater than the outer thread diameter.

A minimum of two screws shall be used for connections in load bearing timber structures.

If screws with an outer thread diameter  $d \geq 8$  mm are driven into the wood-based member without pre-drilling, the structural solid or glued laminated timber, laminated veneer lumber and similar glued members shall be from spruce, pine or fir.

In the case of fastening battens on thermal insulation material on top of rafters the screws shall be driven in the rafter through the battens and the thermal insulation material without pre-drilling in one sequence.

Countersunk head screws may be used with washers according to Annex 3. After inserting the screw the washers shall touch the surface of the wood-based member completely. Screws made from carbon steel shall be used with washers made from carbon steel and screws made from stainless steel shall be used with washers made from stainless steel.

By fastening screws in wood-based members the head of the screws shall be flush with the surface of the wood-based member. For pan head, raised countersunk head, flange head and hexagonal head the head part remains unconsidered.

## 5 Indications to the manufacturer

### 5.1 Use, maintenance, repair

The assessment of the fitness for use is based on the assumption that no maintenance is required during the assumed intended working life.

Georg Feistel  
Head of Department

*beglaubigt:*  
Dewitt

## ANNEX 1 – Characteristic values of the load-carrying capacities

Table 1.1 Characteristic load-carrying capacities of HECO-FIX-plus and HECO-TOPIX self-tapping screws

Outer thread diameter [mm]		3.5	4.0	4.5	5.0	6.0	8.0	10.0
Characteristic yield moment $M_{y,k}$ [Nm]	Carbon steel	2.3	2.8	4.5	5.9	9.5	20.0	36.0
	Stainless steel	1.9	2.8	3.7	4.9	7.9	17.0	30.0
Characteristic tensile strength $f_{tens,k}$ [kN]	Carbon steel	3.8	4.7	6.4	7.9	11.3	20.0	31.0
	Stainless steel	2.9	3.8	4.8	5.9	8.5	15.0	22.0
Characteristic torsional strength $f_{tor,k}$ [Nm]	Carbon steel	2.2	2.9	4.5	6.5	11.0	25.0	42.0
	Stainless steel	2.0	2.9	4.0	5.6	10.0	19.0	35.0

### A.1.1 General

The minimum penetration length of screws in the load-bearing wood-based members shall be  $4 \cdot d$ . The outer thread diameter of screws inserted in cross-laminated timber shall be at least 6 mm. The inner thread diameter  $d_1$  of the screws shall be greater than the maximal width of the gaps in the layer.

### A.1.2 Laterally loaded screws

The outer thread diameter  $d$  shall be used as effective diameter of the screw according to EN 1995-1-1.

### A.1.3 Axially loaded screws

The axial slip modulus  $K_{ser}$  of the threaded part of a screw for the serviceability limit state per side shall be taken independent of angle  $\alpha$  to the grain as:

$$K_{ser} = 780 \cdot d^{0,2} \cdot l_{ef}^{0,4} \quad [\text{N/mm}] \quad (1.1)$$

where

$d$  outer thread diameter of the screw [mm]

$l_{ef}$  penetration length of the screw in the wood-based member [mm].

#### A.1.3.1 Axial withdrawal capacity

The characteristic withdrawal parameter at an angle of  $30^\circ < \alpha \leq 90^\circ$  to the grain based on a characteristic density of the wood-based member of  $350 \text{ kg/m}^3$  is

$f_{ax,k} = 13.7 \text{ N/mm}^2$  for screws with  $3.5 \text{ mm} \leq d \leq 4.5 \text{ mm}$

$f_{ax,k} = 11.8 \text{ N/mm}^2$  for screws with  $5.0 \text{ mm} \leq d \leq 10.0 \text{ mm}$ .

For screws penetrating more than one layer of cross-laminated timber the different layers may be taken into account proportionally. In the lateral surfaces of the cross-laminated timber the screws shall be fully inserted in one layer.

HECO-FIX-plus and HECO-TOPIX self-tapping screws	Annex 1.1
Characteristic values of the load-carrying capacities	

English translation prepared by DIBt

### A.1.3.2 Head pull-through capacity

The characteristic value of the head pull-through parameter for HECO screws for a characteristic density of 350 kg/m<sup>3</sup> of the timber and for wood-based panels like

- plywood according to EN 636 and EN 13986
- oriented Strand Board, OSB according to EN 300 and EN 13986
- particleboard according to EN 312 and EN 13986
- fibreboards according to EN 622-2, EN 622-3 and EN 13986
- cement-bonded particle board according to national provisions that apply at the building site
- solid wood panel according to national provisions that apply at the building site

with a thickness of more than 20 mm is

$$f_{\text{head,k}} = 9.4 \text{ N/mm}^2.$$

For wood-based panels a maximum characteristic density of 380 kg/m<sup>3</sup> shall be used in equation (8.40b) of EN 1995-1-1.

For wood based panels with a thickness between 12 mm and 20 mm the characteristic value of the head pull-through parameter for HECO screws is:

$$f_{\text{head,k}} = 8 \text{ N/mm}^2$$

For wood based panels with a thickness of less than 12 mm the characteristic head pull-through capacity for HECO screws shall be based on a characteristic value of the head pull-through parameter of 8 N/mm<sup>2</sup>, and limited to 400 N complying with the minimum thickness of the wood based panels of 1.2·d, with d as outer thread diameter and the values in Table 1.2.

Table 1.2 Minimum thickness of wood based panels

Wood based panel	Minimum thickness [mm]
Plywood	6
Fibreboards (hardboards and medium boards)	6
Oriented Strand Boards, OSB	8
Particleboards	8
Cement-bonded particle board	8
Solid wood Panels	12

Outer diameter of washers  $d_k > 32$  mm shall not be considered.

In steel-to-timber connections the head pull-through capacity is not governing.

### A.1.4 Spacing, end and edge distances of the screws and minimum thickness of the wood based material

Minimum thickness for structural members is  $t = 24$  mm for screws with  $d \leq 6$  mm,  $t = 30$  mm for screws with  $d = 8$  mm and  $t = 40$  mm for screws with  $d = 10$  mm.

HECO-FIX-plus and HECO-TOPIX self-tapping screws	Annex 1.2
Characteristic values of the load-carrying capacities	

English translation prepared by DIBt

#### A.1.4.1 Laterally and/or axially loaded screws

Screws in pre-drilled holes

For HECO screws in pre-drilled holes the minimum spacings, end and edge distances are given in EN 1995-1-1:2004+A1: 2008, clause 8.3.1.2 and Table 8.2 as for nails in pre-drilled holes. Here, the outer thread diameter  $d$  shall be considered.

Screws in non pre-drilled holes

For HECO screws minimum spacing and distances are given in EN 1995-1-1:2004+A1:2008, clause 8.3.1.2 and Table 8.2 as for nails in non-predrilled holes. Here, the outer thread diameter  $d$  shall be considered.

For Douglas fir members minimum spacing and distances parallel to the grain shall be increased by 50%.

Minimum distances from loaded or unloaded ends shall be  $15 \cdot d$  for screws with outer thread diameter  $d > 8$  mm and timber thickness  $t < 5 \cdot d$ .

Minimum distances from the unloaded edge perpendicular to the grain may be reduced to  $3 \cdot d$  also for timber thickness  $t < 5 \cdot d$ , if the spacing parallel to the grain and the end distance is at least  $25 \cdot d$ .

#### A.1.4.2 Only Axially loaded screws

For HECO screws the minimum spacings, end and edge distances are given in EN 1995-1-1:2004+A1:2008, clause 8.7.2 and Table 8.6.

#### A.1.5 Insertion moment

The ratio between the characteristic torsional strength  $f_{tor,k}$  and the mean value of insertion moment  $R_{tor,mean}$  fulfills the requirement for all screws.

#### A.1.6 Durability against corrosion

Screws and washers made from carbon steel may have the coatings according to Table 1.3

Table 1.3 Coatings of the screws

Coating		Thickness of the coating [ $\mu\text{m}$ ]
electrogalvanised	blue chromated	4 - 10
	yellow chromated	
	black chromated	
	olive chromated	
zinc-nickel coating, galvanic cladded, chromated		8 - 12
Zinc flake basecoat		12 - 18

Steel no. 1.4567 and 1.4578 is used for screws made from stainless steel.

Washers are made from steel no. 1.4305 or 1.4401.

Contact corrosion shall be avoided.

HECO-FIX-plus and HECO-TOPIX self-tapping screws	Annex 1.3
Characteristic values of the load-carrying capacities	

English translation prepared by DIBt

## ANNEX 2 – Fastening of the thermal insulation material on top of rafters

### A.2.1 General

HECO screws with an outer thread diameter of at least 6 mm may be used for the fixing of thermal insulation material on top of rafters or on wood-based members in vertical façades. In the following, the meaning of the word rafter includes wood-based members with inclinations between 0° and 90°.

The thickness of the thermal insulation material may be up to 300 mm. The thermal insulation material shall be applicable as insulation on top of rafters or on façades according to national provisions that apply at the installation site.

The battens have to be from solid timber (softwood) according to EN 338/ EN 14081-1. The minimum thickness  $t$  and the minimum width  $b$  of the battens are given in table 2.1:

Table 2.1 Minimum thickness and minimum width of the battens

Outer thread diameter [mm]	Minimum thickness $t$ [mm]	Minimum width $b$ [mm]
6 and 8	30	50
10	40	60

Instead of battens the following wood-based panels may be used to cover the thermal insulation material if they are suitable for that use:

- Plywood according to EN 636 and EN 13986,
- Oriented Strand Board, OSB according to EN 300 and EN 13986,
- Particleboard according to EN 312 and EN 13986
- Fibreboards according to EN 622-2, EN 622-3 and EN 13986.

Only screws with countersunk head and raised countersunk head shall be used for fixing wood-based panels on rafters with thermal insulation material as interlayer.

The minimum thickness of the wood-based panels shall be 22 mm.

The word batten includes the meaning of wood-based panels in the following.

Friction forces shall not be considered for the design of the characteristic axial load of the screws.

The anchorage of wind suction forces as well as the bending stresses of the battens shall be considered for design. Screws perpendicular to the grain of the rafter (angle  $\alpha = 90^\circ$ ) may be arranged where required considering the design of the battens.

### A.2.2 Parallel inclined screws

#### A.2.2.1 Mechanical model

The system of rafter, thermal insulation material on top of rafter and battens parallel to the rafter may be considered as a beam on elastic foundation. The batten represents the beam, and the thermal insulation material on top of the rafter the elastic foundation. The minimum compression stress of the thermal insulation material at 10 % deformation, measured according to EN 826<sup>1</sup>, shall be  $\sigma_{(10\%)} = 0,05 \text{ N/mm}^2$ . The batten is loaded perpendicular to the axis by point loads  $F_b$ . Further point loads  $F_s$  are from the shear load of the roof due to dead and snow load, which are transferred from the screw heads into the battens.

<sup>1</sup> EN 826:1996 Thermal insulating products for building applications - Determination of compression behaviour

HECO-FIX-plus and HECO-TOPIX self-tapping screws	Annex 2.1
Fastening of the thermal insulation material on top of rafters	

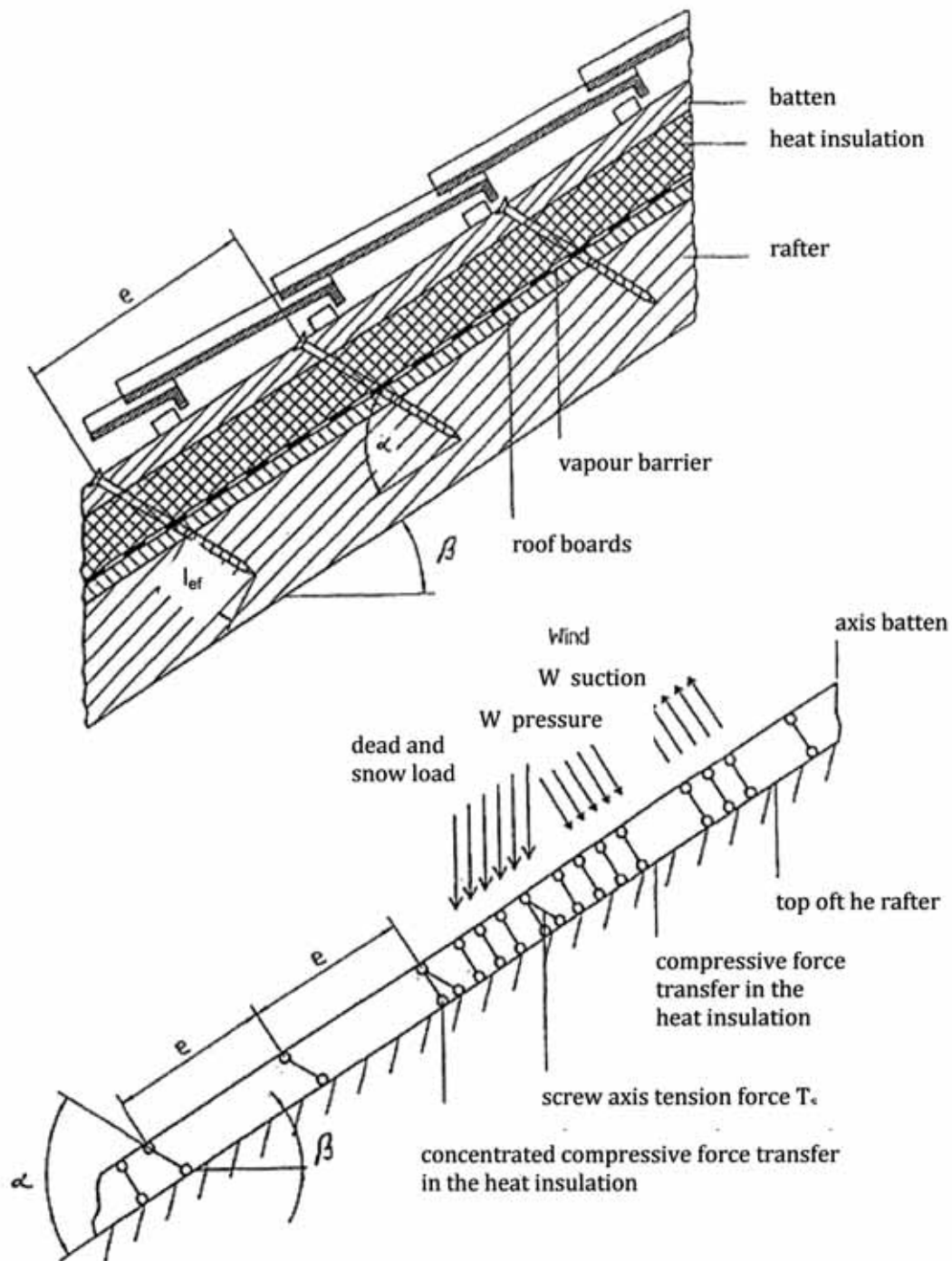


Figure 2.1 Fastening of the thermal insulation material on top of rafters - structural system for parallel inclined screws

HECO-FIX-plus and HECO-TOPIX self-tapping screws	Annex 2.2
Fastening of the thermal insulation material on top of rafters	

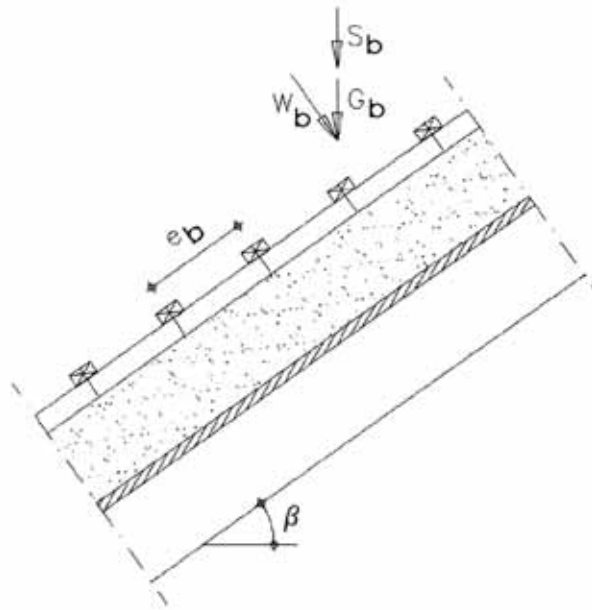


Figure 2.2 Point loads  $F_b$  perpendicular to the battens

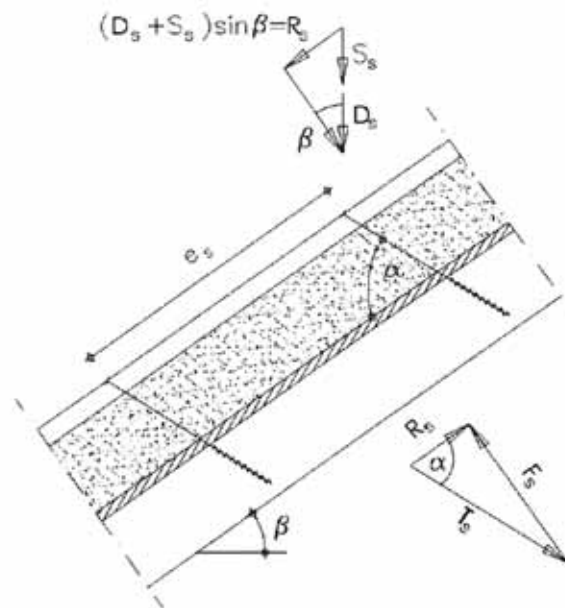


Figure 2.3 Point loads  $F_s$  perpendicular to the battens, load application in the area of the screw heads

HECO-FIX-plus and HECO-TOPIX self-tapping screws	Annex 2.3
Fastening of the thermal insulation material on top of rafters	

### A.2.2.2 Design of the battens

The characteristic value of the bending stresses are calculated as:

$$M_k = \frac{(F_{b,k} + F_{s,k}) \cdot l_{char}}{4} \quad (2.1)$$

where

$$l_{char} = \text{characteristic length } l_{char} = \sqrt[4]{\frac{4 \cdot EI}{w_{ef} \cdot K}} \quad (2.2)$$

$EI$  = bending stiffness of the batten

$K$  = coefficient of subgrade

$w_{ef}$  = effective width of the thermal insulation material

$F_{b,k}$  = characteristic value of the point loads perpendicular to the battens

$F_{s,k}$  = characteristic value of the point loads perpendicular to the battens, load application in the area of the screw heads

The coefficient of subgrade  $K$  may be calculated from the modulus of elasticity  $E_{HI}$  and the thickness  $t_{HI}$  of the thermal insulation material if the effective width  $w_{ef}$  of the thermal insulation material under compression is known. Due to the load extension in the thermal insulation material the effective width  $w_{ef}$  is greater than the width of the batten or rafter, respectively. For further calculations, the effective width  $w_{ef}$  of the thermal insulation material may be determined according to:

$$w_{ef} = w + t_{HI} / 2 \quad (2.3)$$

where

$w$  = minimum from width of the batten or rafter, respectively

$t_{HI}$  = thickness of the thermal insulation material

$$K = \frac{E_{HI}}{t_{HI}} \quad (2.4)$$

The following condition shall be satisfied:

$$\frac{\sigma_{m,d}}{f_{m,d}} = \frac{M_d}{W \cdot f_{m,d}} \leq 1 \quad (2.5)$$

For the calculation of the section modulus  $W$  the net cross section shall be considered.

The characteristic value of the shear stresses shall be calculated according to:

$$V_k = \frac{(F_{b,k} + F_{s,k})}{2} \quad (2.6)$$

The following condition need to be satisfied:

$$\frac{\tau_d}{f_{v,d}} = \frac{1.5 \cdot V_d}{A \cdot f_{v,d}} \leq 1 \quad (2.7)$$

For the calculation of the cross section area the net cross section shall be considered.

### A.3.2.3 Design of the thermal insulation material

The characteristic value of the compressive stresses in the thermal insulation material shall be calculated according to:

$$\sigma_k = \frac{1.5 \cdot F_{b,k} + F_{s,k}}{2 \cdot l_{char} \cdot w} \quad (2.8)$$

The design value of the compressive stress shall not be greater than 110 % of the compressive stress at 10 % deformation calculated according to EN 826.

HECO-FIX-plus and HECO-TOPIX self-tapping screws	Annex 2.4
Fastening of the thermal insulation material on top of rafters	



English translation prepared by DIBt

#### A.3.2.4 Design of the screws

The screws are loaded predominantly axial. The characteristic value of the axial tension force in the screw may be calculated from the shear loads of the roof  $R_s$ :

$$T_{S,k} = \frac{R_{S,k}}{\cos \alpha} \quad (2.9)$$

The load-carrying capacity of axially loaded screws is the minimum design value of the axial withdrawal capacity of the threaded part of the screw, the head pull-through capacity of the screw and the tensile capacity of the screw according to Annex 1.

In order to limit the deformation of the screw head for thermal insulation material with thickness over 200 mm or with compressive strength below 0.12 N/mm<sup>2</sup>, respectively, the axial withdrawal capacity of the screws shall be reduced by the factors  $k_1$  and  $k_2$ :

$$F_{ax,\alpha,Rd} = \min \left\{ \frac{f_{ax,d} \cdot d \cdot l_{ef} \cdot k_1 \cdot k_2}{1.2 \cdot \cos^2 \alpha + \sin^2 \alpha} \cdot \left( \frac{\rho_k}{350} \right)^{0.8}; f_{head,d} \cdot d_h^2 \cdot \left( \frac{\rho_k}{350} \right)^{0.8}; \frac{f_{tens,k}}{\gamma_{M2}} \right\} \quad (2.10)$$

where:

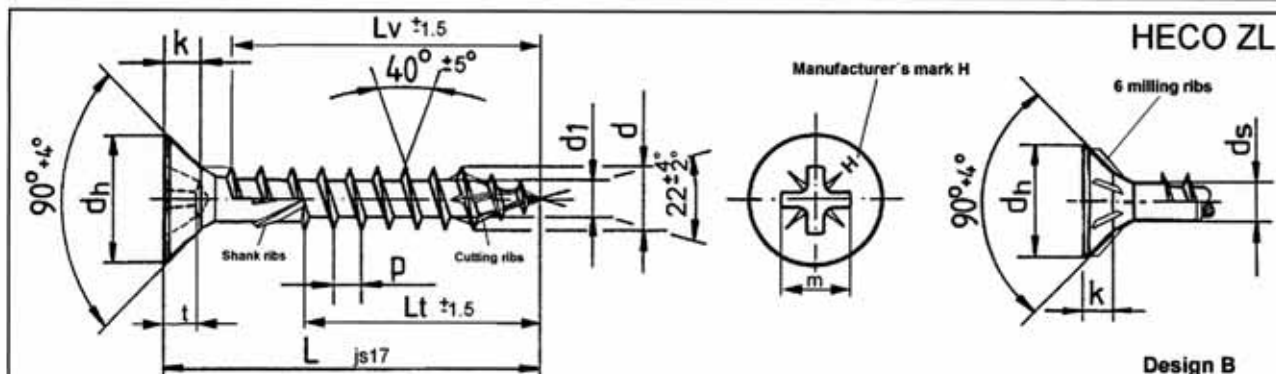
$f_{ax,d}$	design value of the axial withdrawal capacity of the threaded part of the screw [N/mm <sup>2</sup> ]
$d$	outer thread diameter of the screw [mm]
$l_{ef}$	penetration length of the threaded part of the screw in the batten, $l_{ef} \geq 40$ mm
$\rho_k$	characteristic density of the wood-based member [kg/m <sup>3</sup> ]
$\alpha$	angle $\alpha$ between screw axis and grain direction, $30^\circ \leq \alpha \leq 90^\circ$
$f_{head,d}$	design value of the head pull-through capacity of the screw [N/mm <sup>2</sup> ]
$d_h$	head diameter [mm]
$f_{tens,k}$	characteristic tensile capacity of the screw according to Annex 1 [N]
$\gamma_{M2}$	partial factor according to EN 1993-1-1 or to the particular national annex
$k_1$	$\min \{1; 220/t_{HI}\}$
$k_2$	$\min \{1; \sigma_{10\%}/0,12\}$
$t_{HI}$	thickness of the thermal insulation material [mm]
$\sigma_{10\%}$	compressive stress of the thermal insulation material under 10 % deformation [N/mm <sup>2</sup> ]

If equation (2.10) is fulfilled, the deflection of the battens does not need to be considered when designing the load-carrying capacity of the screws.

HECO-FIX-plus and HECO-TOPIX self-tapping screws	Annex 2.5
Fastening of the thermal insulation material on top of rafters	

English translation prepared by DIBt

Material: Cold heading acc. HECO specification  
carbon steel



Nom. diameter	Ø 3,5	Ø 4,0	Ø 4,5	Ø 5,0	Ø 6,0	Ø 8,0	Ø 10,0							
$d$	upper tol. 3,6 +0,2 lower tol. -0,2	4,1 +0,2 -0,2	4,6 +0,2 -0,2	5,2 +0,2 -0,3	6,2 +0,3 -0,3	8,0 +0,4 -0,1	10 +0,45 -0,1							
$d_1$	upper tol. 2,4 lower tol. 2,05	2,65 2,3	2,95 2,55	3,4 3,0	3,95 3,55	5,45 5,05	6,65 6,2							
$d_h$	upper tol. 6,8 +0,3 lower tol. -0,3	7,8 +0,3 -0,3	8,7 +0,4 -0,4	9,4 +0,4 -0,4	11,8 +0 -0,6	14,8 +0 -0,5	18,5 +0 -0,5							
$d_s$	upper tol. 2,65 lower tol. 2,45	2,95 2,75	3,3 3,1	3,65 3,45	4,4 4,2	5,8 5,6	7,1 6,9							
$P$ ±10%	2,6	3,0	3,4	3,8	4,5	6,0	7,5							
$k$	upper tol. 2,1 lower tol. 1,8	2,5 2,1	2,7 2,3	3,0 2,6	3,6 3,1	4,7 4,0	6,0 5,2							
Recess Z	2	2	2	2	3	4	4							
$t$	upper tol. 2,06 lower tol. 1,7	2,51 2,05	3,1 2,64	3,45 3,0	3,45 3,0	4,32 3,86	5,65 5,2							
$m$	4,0	4,4	4,9	5,3	6,6	8,5	9,8							
$L$	$L_v$	$L_t$	$L_v$	$L_t$	$L_v$	$L_t$	$L_v$	$L_t$	$L_v$	$L_t$	$L_v$	$L_t$	$L_v$	$L_t$
20	16													
25	21													
30	26	18*	25	20	24	20	24			24				
35	31	21*	30	20	29	20	29	20		28				
40	36	24*	35	25	34	25	34	23		33				
45	41	27*	40	25	39	25	39	28		38				
50	46	31*	45	30	44	30	44	28		43	30			
55			50	35	49	30	49	38		48	30			
60			54	35	54	35	54	38		53	35			
65				40	60	35	60	38		58	35			
70				40	60	40	60	42		60	40			
75					40	60	42	60		60	40			
80					50	60	47	60		45		60		60
90							55			55		60		60
100							60			60		60		80
110							60			60		70		80
120							60			60		70		80
130										60		70		80
140										60		70		80
150										60		70		80
160										60		70		100
180										60		100		100
190										60		100		100
200										60		100		100
220 - 300										60		100		100
320 - 400										60		100		100
420 - 500										60		100		100

Other thread lengths for  $l_g \geq 4 \cdot d$  up to max. standard thread length, are allowed

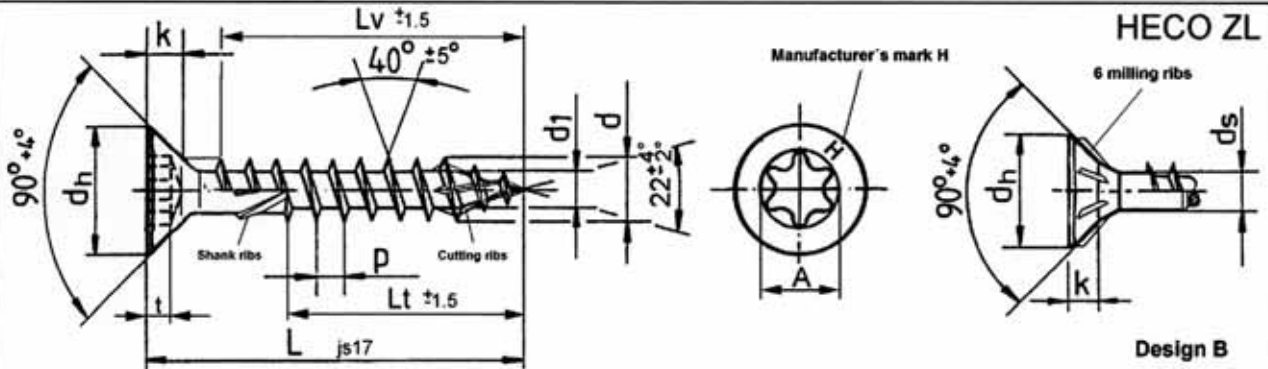
HECO-FIX-plus and HECO-TOPIX self-tapping screws

HECO-FIX-plus Countersunk screw, Pozi-Drive

Annex 3.1

English translation prepared by DIBt

Material: Cold heading acc. HECO specification  
carbon steel



Nom. diameter	Ø 3,5	Ø 4,0	Ø 4,5	Ø 5,0	Ø 6,0	Ø 8,0	Ø 10,0								
$d$	upper tol. 3,6 lower tol. -0,2	4,1 -0,2	4,6 -0,2	5,2 -0,3	6,2 -0,3	8,0 -0,1	10 -0,1								
$d_1$	2,4 2,05	2,65 2,3	2,95 2,55	3,4 3,0	3,95 3,55	5,45 5,05	6,65 6,2								
$d_h$	6,8 -0,3	7,8 -0,3	8,7 -0,4	9,4 -0,4	11,8 -0,6	14,8 -0,5	18,5 -0,5								
$d_s$	2,65 2,45	2,95 2,75	3,3 3,1	3,65 3,45	4,4 4,2	5,8 5,6	7,1 6,9								
$P$	±10%														
$k$	2,1 1,8	2,5 2,1	2,7 2,3	3,0 2,6	3,6 3,1	4,7 4,0	6,0 5,2								
Recess	T15		T15		T25		T25		T25		T40		T40		
$t$	1,47 1,27	1,65 1,4	1,8 1,5	2,15 1,85	2,6 2,3	3,15 2,85	3,85 3,4								
$A$	3,35		3,35		4,53		4,53		4,53		6,8		6,8		
$L$	$L_v$	$L_t$	$L_v$	$L_t$	$L_v$	$L_t$	$L_v$	$L_t$	$L_v$	$L_t$	$L_v$	$L_t$	$L_v$	$L_t$	
20	16														
25	21		20		20		20								
30	26	18*	25	20	24	20	24		24						
35	31	21*	30	20	29	20	29	20	28						
40	36	24*	35	25	34	25	34	23	33						
45	41	27*	40	25	39	25	39	28	38						
50	46	31*	45	30	44	30	44	28	43	30					
55			50	35	49	30	49	38	48	30					
60			54	35	54	35	54	38	53	35					
65			40	60	60	35	60	38	58	35					
70			40	60	60	40	60	42	60	40					
75					40	60	42	60	40						
80					50	60	47	60	45		60		60		
90							55		55		60		60		
100							60		60		60		60		
110							60		60		70		70		
120							60		60		70		70		
130									60		70		70		
140			Lv and „*“ without shank ribs									60		70	
150									60		70		70		
160									60		70		70		
180									60		100		100		
190									60		100		100		
200									60		100		100		
220 - 300	with 20mm grading								60		100		100		
320 - 400	with 20mm grading								60		100		100		
420 - 500	with 20mm grading								60		100		100		

Other thread lengths for  $l_g \geq 4 \cdot d$  up to max. standard thread length, are allowed

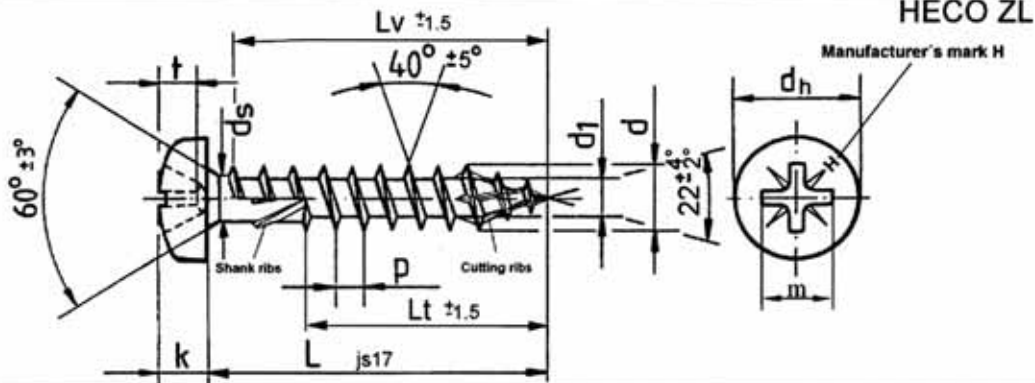
HECO-FIX-plus and HECO-TOPIX self-tapping screws

HECO-FIX-plus Countersunk screw, T-Drive

Annex 3.2

English translation prepared by DIBt

Material: Cold heading acc. HECO specification  
carbon steel



HECO ZL

Manufacturer's mark H

Nom. diameter	Ø 3,5	Ø 4,0	Ø 4,5	Ø 5,0	Ø 6,0	Ø 8,0	Ø 10,0							
<i>d</i>	upper tol. 3,6 +0,2 lower tol. -0,2	4,1 +0,2 -0,2	4,6 +0,2 -0,2	5,2 +0,2 -0,3	6,2 +0,3 -0,3	8,0 +0,4 -0,1	10 +0,45 -0,1							
<i>d</i> <sub>1</sub>	upper tol. 2,4 lower tol. 2,05	2,65 2,3	2,95 2,55	3,4 3,0	3,95 3,55	5,45 5,05	6,65 6,2							
<i>d</i> <sub>h</sub>	upper tol. 6,8 +0,3 lower tol. -0,3	7,8 +0,3 -0,3	8,7 +0,4 -0,4	9,4 +0,4 -0,4	11,8 +0 -0,6	14,8 +0 -0,5	18,5 +0 -0,5							
<i>d</i> <sub>s</sub>	upper tol. 2,65 lower tol. 2,45	2,95 2,75	3,3 3,1	3,65 3,45	4,4 4,2	5,8 5,6	7,1 6,9							
<i>P</i> ±10%	2,6	3,0	3,4	3,8	4,5	6,0	7,5							
<i>k</i>	upper tol. 2,6 lower tol. 2,35	2,9 2,55	3,05 2,75	3,4 3,1	4,0 3,7	5,4 5,0	6,5 6,1							
Recess Z	2	2	2	2	3	4	4							
<i>t</i>	upper tol. 1,85 lower tol. 1,6	2,46 2,2	2,72 2,26	3,15 2,59	3,48 3,02	4,17 3,71	5,69 5,23							
<i>m</i>	3,8	4,4	4,6	5,1	6,7	8,5	9,9							
<i>L</i>	<i>L</i> <sub>v</sub>	<i>L</i> <sub>t</sub>	<i>L</i> <sub>v</sub>	<i>L</i> <sub>t</sub>	<i>L</i> <sub>v</sub>	<i>L</i> <sub>t</sub>	<i>L</i> <sub>v</sub>	<i>L</i> <sub>t</sub>	<i>L</i> <sub>v</sub>	<i>L</i> <sub>t</sub>	<i>L</i> <sub>v</sub>	<i>L</i> <sub>t</sub>	<i>L</i> <sub>v</sub>	<i>L</i> <sub>t</sub>
20	16													
25	21		20		20		20							
30	26	18*	25	20	24	20	24		24					
35	31	21*	30	20	29	20	29	20	28					
40	36	24*	35	25	34	25	34	23	33					
45	41	27*	40	25	39	25	39	28	38					
50	46	31*	45	30	44	30	44	28	43	30				
55			50	35	49	30	49	38	48	30				
60			54	35	54	35	54	38	53	35				
65				40	60	35	60	38	58	35				
70				40	60	40	60	42	60	40				
75					40	60	40	42	60	40				
80						50	60	47	60	45		60		60
90								55		55		60		60
100								60		60		60		80
110								60		60		70		80
120								60		60		70		80
130										60		70		80
140										60		70		80
150										60		70		80
160										60		70		100
180										60		100		100
190										60		100		100
200										60		100		100
220 - 300										60		100		100
320 - 400										60		100		100

Other thread lengths for  $l_g \geq 4 \cdot d$  up to max. standard thread length, are allowed

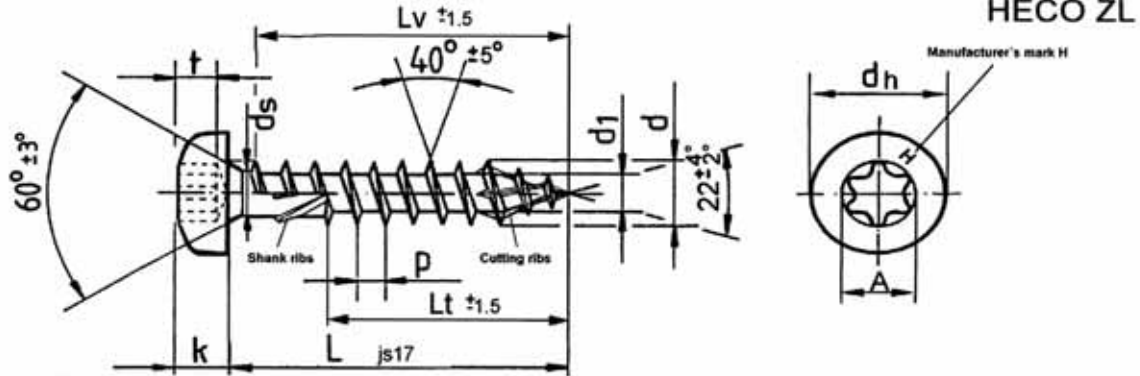
HECO-FIX-plus and HECO-TOPIX self-tapping screws

HECO-TOPIX Pan-Head, Pozi-Drive

Annex 3.3

English translation prepared by DIBt

Material: Cold heading acc. HECO specification  
carbon steel



Nom. diameter	Ø 3,5		Ø 4,0		Ø 4,5		Ø 5,0		Ø 6,0		Ø 8,0		Ø 10,0		
<i>d</i>	upper tol.	3,6 <sup>+0,2</sup>	4,1 <sup>+0,2</sup>	4,6 <sup>+0,2</sup>	5,2 <sup>+0,2</sup>	6,2 <sup>+0,3</sup>	8,0 <sup>+0,4</sup>	10 <sup>+0,45</sup>	lower tol.	-0,2	-0,2	-0,2	-0,3	-0,3	-0,1
<i>d</i> <sub>1</sub>	upper tol.	2,4	2,65	2,95	3,4	3,95	5,45	6,65	lower tol.	2,05	2,3	2,55	3,0	3,55	6,2
<i>d</i> <sub>h</sub>	upper tol.	6,8 <sup>+0,3</sup>	7,8 <sup>+0,3</sup>	8,7 <sup>+0,4</sup>	9,4 <sup>+0,4</sup>	11,8 <sup>+0</sup>	14,8 <sup>+0</sup>	18,5 <sup>+0</sup>	lower tol.	-0,3	-0,3	-0,4	-0,4	-0,6	-0,5
<i>d</i> <sub>s</sub>	upper tol.	2,65	2,95	3,3	3,65	4,4	5,8	7,1	lower tol.	2,45	2,75	3,1	3,45	4,2	6,9
<i>P</i>	±10%	2,6	3,0	3,4	3,8	4,5	6,0	7,5							
<i>k</i>		2,6	2,9	3,05	3,4	4,0	5,4	6,5		2,35	2,55	2,75	3,1	3,7	6,1
Recess		T15	T15	T25	T25	T25	T40	T40							
<i>t</i>	upper tol.	1,85	2,46	2,72	3,15	3,48	3,15	3,85	lower tol.	1,6	2,2	2,26	2,69	3,02	3,4
<i>A</i>		3,35	3,35	4,53	4,53	4,53	6,8	6,8							
<i>L</i>		<i>L</i> <sub>v</sub>	<i>L</i> <sub>t</sub>	<i>L</i> <sub>v</sub>	<i>L</i> <sub>t</sub>	<i>L</i> <sub>v</sub>	<i>L</i> <sub>t</sub>	<i>L</i> <sub>v</sub>	<i>L</i> <sub>t</sub>	<i>L</i> <sub>v</sub>	<i>L</i> <sub>t</sub>	<i>L</i> <sub>v</sub>	<i>L</i> <sub>t</sub>	<i>L</i> <sub>v</sub>	<i>L</i> <sub>t</sub>
20		16													
25		21		20		20		20							
30		26	18*	25	20	24	20	24		24					
35		31	21*	30	20	29	20	29	20	28					
40		36	24*	35	25	34	25	34	23	33					
45		41	27*	40	25	39	25	39	28	38					
50		46	31*	45	30	44	30	44	28	43	30				
55				50	35	49	30	49	38	48	30				
60				54	35	54	35	54	38	53	35				
65					40	60	35	60	38	58	35				
70					40	60	40	60	42	60	40				
75						40	60	42	60	40					
80						50	60	47	60	45		60		60	
90								55		55		60		60	
100								60		60		60		60	
110								60		60		70		60	
120								60		60		70		60	
130										60		70		60	
140										60		70		60	
150										60		70		60	
160										60		70		100	
180										60		100		100	
190										60		100		100	
200										60		100		100	
220 - 300										60		100		100	
320 - 400										60		100		100	

Other thread lengths for  $l_g \geq 4 \cdot d$  up to max. standard thread length, are allowed

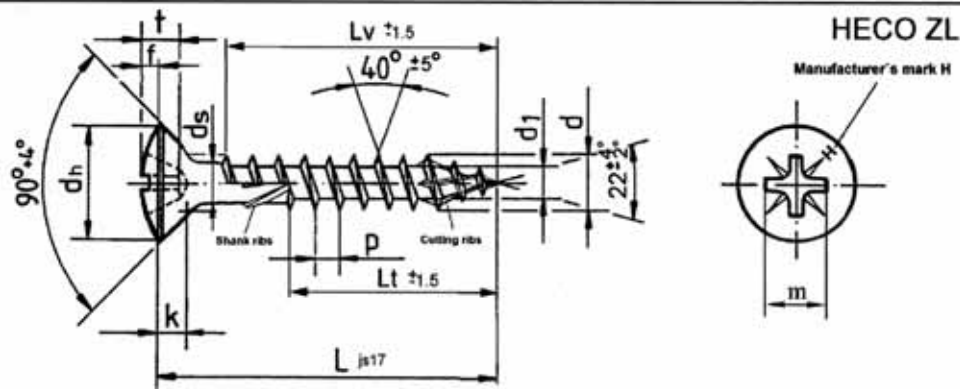
HECO-FIX-plus and HECO-TOPIX self-tapping screws

HECO-TOPIX Pan-Head, T-Drive

Annex 3.4

English translation prepared by DIBt

Material: Cold heading acc. HECO specification  
carbon steel



Nom. diameter	Ø 3,5	Ø 4,0	Ø 4,5	Ø 5,0	Ø 6,0	Ø 8,0	Ø 10,0							
<i>d</i>	upper tol. 3,6 +0,25 lower tol. -0,2	4,1 +0,25 -0,2	4,6 +0,25 -0,2	5,2 +0,2 -0,3	6,2 +0,3 -0,3	8,0 +0,4 -0,1	10 +0,45 -0,1							
<i>d</i> <sub>1</sub>	upper tol. 2,55 lower tol. 2,2	2,95 2,6	3,25 2,85	3,7 3,35	4,4 4,05	5,45 5,05	6,65 6,2							
<i>d</i> <sub>h</sub>	upper tol. 6,8 +0,3 lower tol. -0,3	7,8 +0,3 -0,3	8,7 +0,4 -0,4	9,4 +0,4 -0,4	11,8 +0 -0,6	14,8 +0 -0,5	18,5 +0 -0,5							
<i>d</i> <sub>s</sub>	upper tol. 2,75 lower tol. 2,55	3,15 2,95	3,45 3,25	3,9 3,7	4,7 4,5	5,8 5,6	7,1 6,9							
<i>P</i> ±10%	2,6	3,0	3,4	3,8	4,5	6,0	7,5							
<i>k</i>	upper tol. 2,1 lower tol. 1,8	2,5 2,1	2,7 2,3	3,0 2,6	3,6 3,1	4,7 4,0	6,0 5,2							
<i>f</i>	upper tol. 1,2 lower tol. 0,9	1,3 1,0	1,55 1,15	1,55 1,15	1,95 1,55	2,2 1,7	3,3 2,8							
Recess Z	2	2	2	2	3	4	4							
<i>t</i>	upper tol. 2,11 lower tol. 1,65	2,72 2,26	3,15 2,69	3,35 2,89	3,86 3,4	4,52 4,06	6,17 5,71							
<i>m</i>	4,0	4,6	5,1	5,3	7,1	8,8	10,4							
<i>L</i>	<i>L</i> <sub>v</sub>	<i>L</i> <sub>t</sub>	<i>L</i> <sub>v</sub>	<i>L</i> <sub>t</sub>	<i>L</i> <sub>v</sub>	<i>L</i> <sub>t</sub>	<i>L</i> <sub>v</sub>	<i>L</i> <sub>t</sub>	<i>L</i> <sub>v</sub>	<i>L</i> <sub>t</sub>	<i>L</i> <sub>v</sub>	<i>L</i> <sub>t</sub>	<i>L</i> <sub>v</sub>	<i>L</i> <sub>t</sub>
20	16													
25	21													
30	26	18*	25	20	24	20	24		24					
35	31	21*	30	20	29	20	29	20	28					
40	36	24*	35	25	34	25	34	23	33					
45	41	27*	40	25	39	25	39	28	38					
50	46	31*	45	30	44	30	44	28	43	30				
55			50	35	49	30	49	38	48	30				
60			54	35	54	35	54	38	53	35				
65				40	60	35	60	38	58	35				
70				40	60	40	60	42	60	40				
75						40	60	42	60	40				
80						50	60	47	60	45		60		60
90								55	55		60		60	60
100								60	60		60		60	80
110								60	60		70		70	80
120								60	60		70		70	80
130									60		70		70	80
140											60		70	80
150											60		70	80
160											60		70	100
180											60		100	100
190											60		100	100
200											60		100	100
220 - 300											60		100	100
320 - 400											60		100	100
420 - 500											60		100	100

Other thread lengths for  $l_g \geq 4 \cdot d$  up to max. standard thread length, are allowed

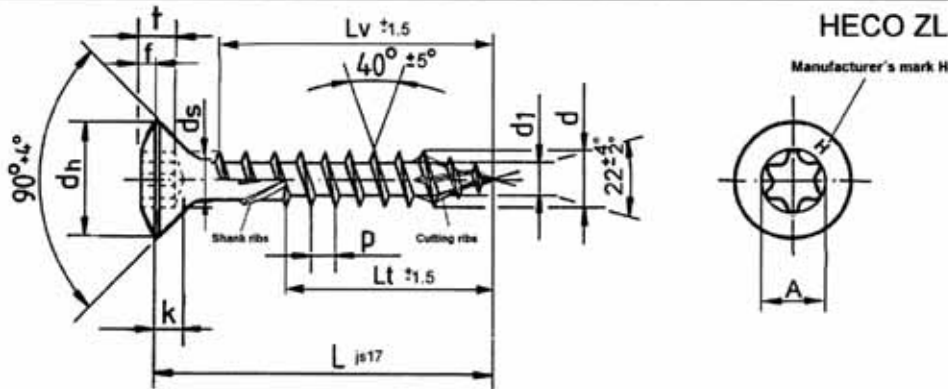
HECO-FIX-plus and HECO-TOPIX self-tapping screws

HECO-TOPIX Raised Countersunk head, Pozi-Drive

Annex 3.5

English translation prepared by DIBt

Material: Cold heading acc. HECO specification  
carbon steel



Nom. diameter	Ø 3,5	Ø 4,0	Ø 4,5	Ø 5,0	Ø 6,0	Ø 8,0	Ø 10,0							
<b>d</b>	upper tol. 3,6 lower tol. 3,6	4,1 <sup>+0,2</sup> 4,1 <sup>-0,2</sup>	4,6 <sup>+0,2</sup> 4,6 <sup>-0,2</sup>	5,2 <sup>+0,2</sup> 5,2 <sup>-0,3</sup>	6,2 <sup>+0,3</sup> 6,2 <sup>-0,3</sup>	8,0 <sup>+0,4</sup> 8,0 <sup>-0,1</sup>	10 <sup>+0,45</sup> 10 <sup>-0,1</sup>							
<b>d1</b>	2,4 2,05	2,65 2,3	2,95 2,55	3,4 3,0	3,95 3,55	5,45 5,05	6,65 6,2							
<b>dh</b>	6,8 <sup>+0,3</sup> 6,8 <sup>-0,3</sup>	7,8 <sup>+0,3</sup> 7,8 <sup>-0,3</sup>	8,7 <sup>+0,4</sup> 8,7 <sup>-0,4</sup>	9,4 <sup>+0,4</sup> 9,4 <sup>-0,4</sup>	11,8 <sup>+0</sup> 11,8 <sup>-0,6</sup>	14,8 <sup>+0</sup> 14,8 <sup>-0,5</sup>	18,5 <sup>+0</sup> 18,5 <sup>-0,5</sup>							
<b>ds</b>	2,65 2,45	2,95 2,75	3,3 3,1	3,65 3,45	4,4 4,2	5,8 5,6	7,1 6,9							
<b>P</b>	±10% 2,6	3,0	3,4	3,8	4,5	6,0	7,5							
<b>k</b>	2,1 1,8	2,5 2,1	2,7 2,3	3,0 2,6	3,6 3,1	4,7 4,0	6,0 5,2							
<b>f</b>	1,05 0,75	1,3 1,0	1,35 0,95	1,35 0,95	1,95 1,55	2,2 1,7	3,3 2,8							
<b>Recess</b>	T15	T15	T25	T25	T25	T40	T40							
<b>t</b>	1,47 1,27	1,65 1,4	1,8 1,5	2,15 1,85	2,6 2,3	3,15 2,85	3,85 3,4							
<b>A</b>	3,35	3,35	4,53	4,53	4,53	6,8	6,8							
<b>L</b>	Lv	Lt	Lv	Lt	Lv	Lt	Lv	Lt	Lv	Lt	Lv	Lt	Lv	Lt
20	16													
25	21		20		20		20							
30	26	18*	25	20	24	20	24		24					
35	31	21*	30	20	29	20	29	20	28					
40	36	24*	35	25	34	25	34	23	33					
45	41	27*	40	25	39	25	39	28	38					
50	46	31*	45	30	44	30	44	28	43	30				
55			50	35	49	30	49	38	48	30				
60			54	35	54	35	54	38	53	35				
65				40	60	35	60	38	58	35				
70				40	60	40	60	42	60	40				
75						40	60	42	60	40				
80						50	60	47	60	45		60		60
90								55	60	55		60		60
100								60	60	60		60		80
110								60	60	60		70		80
120								60	60	60		70		80
130									60	60		70		80
140									60	60		70		80
150									60	60		70		80
160									60	60		70		100
180									60	60		100		100
190									60	60		100		100
200									60	60		100		100
220 - 300									60	60		100		100
320 - 400									60	60		100		100
420 - 500									60	60		100		100

Other thread lengths for  $l_g \geq 4 \cdot d$  up to max. standard thread length, are allowed

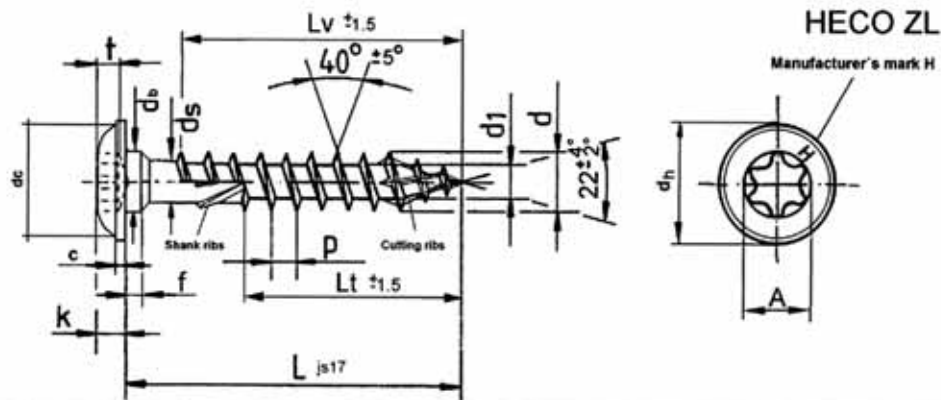
HECO-FIX-plus and HECO-TOPIX self-tapping screws

HECO-FIX-plus Raised Countersunk screw, T-Drive

Annex 3.6

English translation prepared by DIBt

Material: Cold heading acc. HECO specification  
carbon steel



Nom. diameter								Ø 6,0	Ø 8,0	Ø 10,0	
<i>d</i>	upper tol. lower tol.							6,2 <sup>+0,3</sup> <sub>-0,3</sub>	8 <sup>+0,4</sup> <sub>-0,1</sub>	10 <sup>+0,45</sup> <sub>-0,1</sub>	
<i>d</i> <sub>1</sub>	upper tol. lower tol.							3,95 3,55	5,45 5,05	6,65 6,2	
<i>d</i> <sub>h</sub>	upper tol. lower tol.							14 <sup>+1</sup> <sub>-1</sub>	17,5 <sup>+1</sup> <sub>-1</sub>	22,5 <sup>+1</sup> <sub>-1</sub>	
<i>d</i> <sub>b</sub>	upper tol. lower tol.							6,2 <sup>+0,3</sup> <sub>-0,3</sub>	8 <sup>+0,5</sup> <sub>-0,5</sub>	10 <sup>+0,5</sup> <sub>-0,5</sub>	
<i>d</i> <sub>s</sub>	upper tol. lower tol.							4,4 4,2	5,8 5,6	7,1 6,9	
<i>d</i> <sub>c</sub>								ca. 12	ca. 16	ca. 20	
<i>P</i>	±10%							4,5	6,0	7,5	
<i>k</i>	upper tol. lower tol.							2,9 2,2	4,0 3,3	4,2 3,5	
<i>f</i>	upper tol. lower tol.							1,8 1,1	2,6 2,0	2,6 2,0	
<i>C</i>	upper tol. lower tol.							1,7 1,2	2,0 1,5	2,3 1,7	
Recess								T25	T40	T40	
<i>t</i>	upper tol. lower tol.							2,7 2,4	3,5 2,6	4,0 3,0	
<i>A</i>								4,5	6,8	6,8	
<i>L</i>		<i>L</i> <sub>v</sub>	<i>L</i> <sub>t</sub>	<i>L</i> <sub>v</sub>	<i>L</i> <sub>t</sub>	<i>L</i> <sub>v</sub>	<i>L</i> <sub>t</sub>	<i>L</i> <sub>v</sub>	<i>L</i> <sub>t</sub>	<i>L</i> <sub>v</sub>	<i>L</i> <sub>t</sub>
40								33			
50								43		40	
60								53		50	
70								60		60	
80								70	60	70	60
90								70	70	80	60
100								70	70	80	60
120								70	100	70	80
140								70	70	70	80
160								70	70	100	100
180								70	70	100	100
200								70	70	100	100
220								70	70	100	100
240								70	70	100	100
260								70	70	100	100
280								70	70	100	100
300-400								70	70	100	100

Other thread lengths for  $l_g \geq 4 \cdot d$  up to max. standard thread length, are allowed

HECO-FIX-plus and HECO-TOPIX self-tapping screws

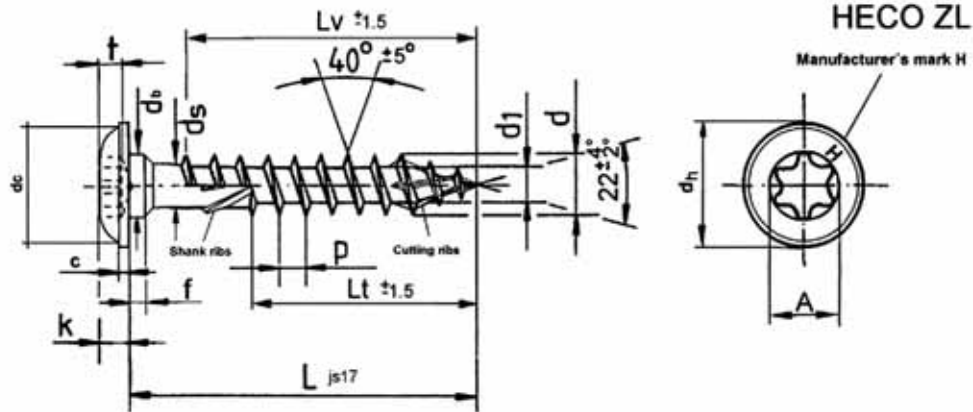
HECO-TOPIX Flange Head, T-Drive

Annex 3.7



English translation prepared by DIBt

Material: Cold heading acc. HECO specification  
carbon steel



Nom. diameter								Ø 8,0	Ø 10,0	
<i>d</i>	upper tol.							8 <sup>+0,4</sup>	10 <sup>+0,45</sup>	
	lower tol.							-0,1	-0,1	
<i>d</i> <sub>1</sub>	upper tol.							5,45	6,65	
	lower tol.							5,05	6,2	
<i>d</i> <sub>h</sub>	upper tol.							23 <sup>+1</sup>	28 <sup>+1</sup>	
	lower tol.							-1	-1	
<i>d</i> <sub>s</sub>	upper tol.							5,8	7,1	
	lower tol.							5,6	6,9	
<i>d</i> <sub>c</sub>								ca. 13	ca. 16	
<i>P</i> ±10%								6,0	7,5	
<i>k</i>	upper tol.							4,0	4,2	
	lower tol.							3,3	3,5	
<i>f</i>	upper tol.							2,6	2,6	
	lower tol.							2,0	2,0	
<i>c</i>	upper tol.							2,0	2,3	
	lower tol.							1,5	1,7	
Recess								T40	T40	
<i>t</i>	upper tol.							3,5	4,0	
	lower tol.							2,6	3,0	
<i>A</i>								6,8	6,8	
<i>L</i>		<i>L</i> <sub>v</sub>	<i>L</i> <sub>t</sub>	<i>L</i> <sub>v</sub>	<i>L</i> <sub>t</sub>	<i>L</i> <sub>v</sub>	<i>L</i> <sub>t</sub>	<i>L</i> <sub>v</sub>	<i>L</i> <sub>t</sub>	
40										
50								40		
60								50		
70								60		
80								70	60	
90								80	60	
100								80	60	
120								100	70	
140									70	
160									100	
180									100	
200									100	
220									100	
240									100	
260									100	
280									100	
300-400		with 20mm grading							100	100

Other thread lengths for  $l_g \geq 4 \cdot d$  up to max. standard thread length, are allowed

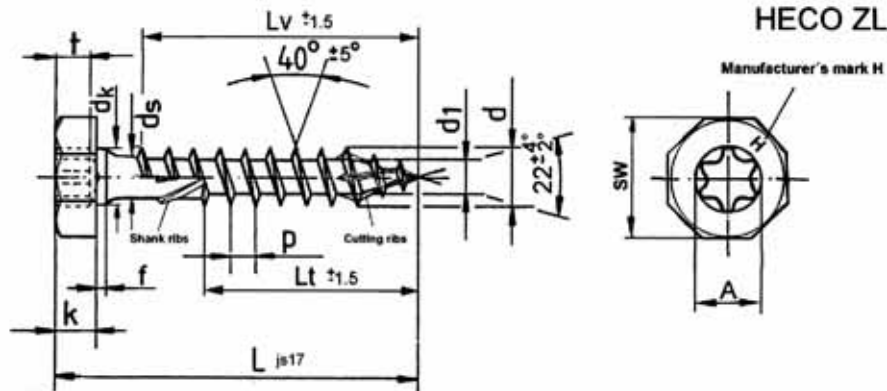
HECO-FIX-plus and HECO-TOPIX self-tapping screws

HECO-TOPIX Flange Head, T-Drive, alternative

Annex 3.8

English translation prepared by DIBt

Material: Cold heading acc. HECO specification  
carbon steel



Nom. diameter														Ø 10,0	
$d$	upper tol. lower tol.													10	+0,45 -0,1
$d_1$	upper tol. lower tol.													6,65	6,2
$SW$	upper tol. lower tol.													15	+0 -0,33
$dk$	upper tol. lower tol.													10	+0 -0,2
$ds$	upper tol. lower tol.													7,1	6,9
$P$	±10%													7,5	
$k$	upper tol. lower tol.													5,3	4,7
$f$	upper tol. lower tol.													2,3	1,7
Recess														T40	
$t$	upper tol. lower tol.													3,6	3,1
$A$														6,8	
$L$		$L_v$	$L_t$	$L_v$	$L_t$	$L_v$	$L_t$	$L_v$	$L_t$	$L_v$	$L_t$	$L_v$	$L_t$	$L_v$	$L_t$
80															60
90															60
100															60
120															70
140															70
160															100
180															100
200															100
220															100
240															100
260															100
280															100
300															100
320															100
340															100
360															100
400															100

Other thread lengths for  $l_g \geq 4 \cdot d$  up to max. standard thread length, are allowed

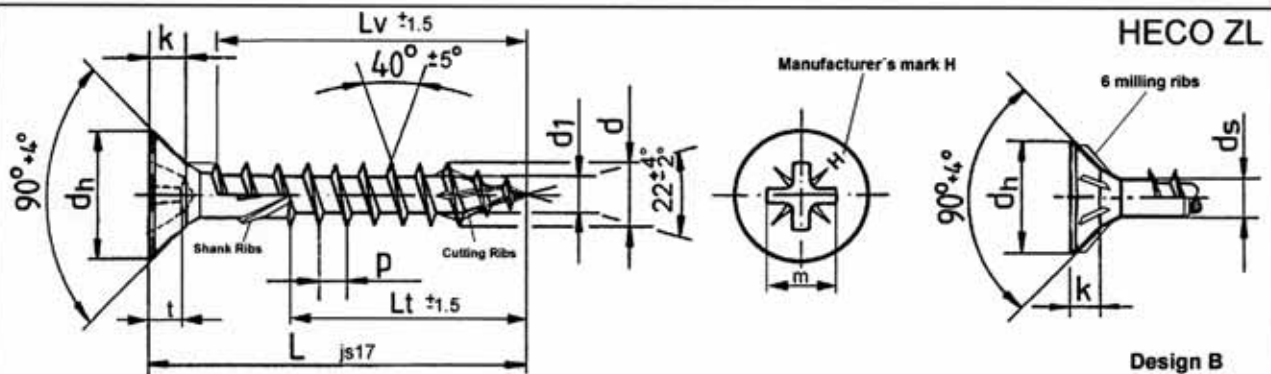
HECO-FIX-plus and HECO-TOPIX self-tapping screws

HECO-TOPIX Hexagon Head, T-Drive

Annex 3.9

English translation prepared by DIBt

Material: Cold heading acc. HECO specification  
stainless steel



Nom. diameter	Ø 3,5	Ø 4,0	Ø 4,5	Ø 5,0	Ø 6,0	Ø 8,0	Ø 10,0								
<b>d</b>	upper tol. 3,6 +0,2 lower tol. -0,2	4,1 +0,2 -0,2	4,6 +0,2 -0,2	5,2 +0,2 -0,3	6,2 +0,3 -0,3	8,0 +0,4 -0,1	10 +0,45 -0,1								
<b>d1</b>	upper tol. 2,55 lower tol. 2,2	2,95 2,6	3,25 2,85	3,7 3,35	4,4 4,05	5,45 5,05	6,65 6,2								
<b>dh</b>	upper tol. 6,8 +0,3 lower tol. -0,3	7,8 +0,3 -0,3	8,7 +0,4 -0,4	9,4 +0,4 -0,4	11,8 +0 -0,6	14,8 +0 -0,5	18,5 +0 -0,5								
<b>ds</b>	upper tol. 2,75 lower tol. 2,55	3,15 2,95	3,45 3,25	3,9 3,7	4,7 4,5	5,8 5,6	7,1 6,9								
<b>P</b>	±10% 2,6	3,0	3,4	3,8	4,5	6,0	7,5								
<b>k</b>	upper tol. 2,1 lower tol. 1,8	2,5 2,1	2,7 2,3	3,0 2,6	3,6 3,1	4,7 4,0	6,0 5,2								
<b>Recess Z</b>	2	2	2	2	3	4	4								
<b>t</b>	upper tol. 2,06 lower tol. 1,7	2,51 2,05	3,1 2,64	3,45 3,0	3,45 3,0	4,32 3,86	5,65 5,2								
<b>m</b>	4,0	4,4	4,9	5,3	6,6	8,5	9,8								
<b>L</b>	Lv	Lt	Lv	Lt	Lv	Lt	Lv	Lt	Lv	Lt	Lv	Lt	Lv	Lt	
20	16														
25	21		20		20		20								
30	26	18*	25	20	24	20	24		24						
35	31	21*	30	20	29	20	29	20	28						
40	36	24*	35	25	34	25	34	23	33						
45	41	27*	40	25	39	25	39	28	38						
50	46	31*	45	30	44	30	44	28	43	30					
55			50	35	49	30	49	38	48	30					
60			54	35	54	35	54	38	53	35					
65				40	60	35	60	38	58	35					
70				40	60	40	60	42	60	40					
75						40	60	42	60	40					
80						50	60	47	60	45		60		60	
90								55		55		60		60	
100								60		60		60		80	
110								60		60		70		80	
120								60		60		70		80	
130										60		70		80	
140			Lv and „t“ without shank ribs									60		70	80
150										60		70		80	
160										60		70		100	
180										60		100		100	
190										60		100		100	
200										60		100		100	
220 - 300			with 20mm grading									60		100	100
320 - 400			with 20mm grading									60		100	100
420 - 500			with 20mm grading									60		100	100

Other thread lengths for  $l_g \geq 4 \cdot d$  up to max. standard thread length, are allowed

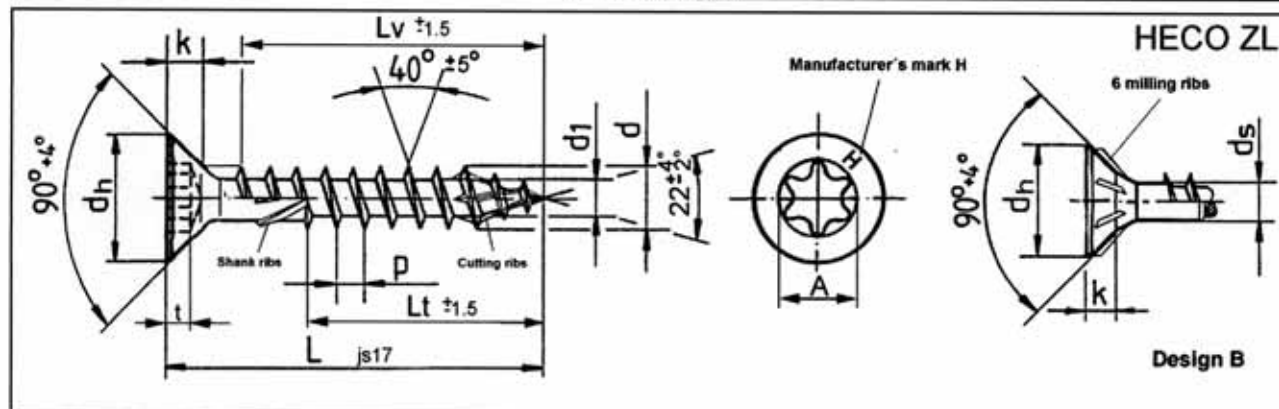
HECO-FIX-plus and HECO-TOPIX self-tapping screws

HECO-TOPIX Countersunk Head, Pozi-Drive

Annex 3.10

English translation prepared by DIBt

Material: Cold heading acc. HECO specification  
stainless steel



Nom. diameter	Ø 3,5	Ø 4,0	Ø 4,5	Ø 5,0	Ø 6,0	Ø 8,0	Ø 10,0								
<i>d</i>	upper tol. 3,6 +0,2 lower tol. -0,2	4,1 +0,2 -0,2	4,6 +0,2 -0,2	5,2 +0,2 -0,3	6,2 +0,3 -0,3	8,0 +0,4 -0,1	10 +0,45 -0,1								
<i>d</i> <sub>1</sub>	upper tol. 2,55 lower tol. 2,2	2,95 2,6	3,25 2,85	3,7 3,35	4,4 4,05	5,45 5,05	6,65 6,2								
<i>d</i> <sub>h</sub>	upper tol. 6,8 +0,3 lower tol. -0,3	7,8 +0,3 -0,3	8,7 +0,4 -0,4	9,4 +0,4 -0,4	11,8 +0 -0,6	14,8 +0 -0,5	18,5 +0 -0,5								
<i>d</i> <sub>s</sub>	upper tol. 2,75 lower tol. 2,55	3,15 2,95	3,45 3,25	3,9 3,7	4,7 4,5	5,8 5,6	7,1 6,9								
<i>P</i> ±10%	2,6	3,0	3,4	3,8	4,5	6,0	7,5								
<i>k</i>	upper tol. 2,1 lower tol. 1,8	2,5 2,1	2,7 2,3	3,0 2,6	3,6 3,1	4,7 4,0	6,0 5,2								
Recess	T15	T15	T25	T25	T25	T40	T40								
<i>t</i>	upper tol. 1,47 lower tol. 1,27	1,65 1,4	1,8 1,5	2,15 1,85	2,6 2,3	3,15 2,85	3,85 3,4								
<i>A</i>	3,35	3,35	4,53	4,53	4,53	6,8	6,8								
<i>L</i>	<i>L</i> <sub>v</sub>	<i>L</i> <sub>t</sub>	<i>L</i> <sub>v</sub>	<i>L</i> <sub>t</sub>	<i>L</i> <sub>v</sub>	<i>L</i> <sub>t</sub>	<i>L</i> <sub>v</sub>	<i>L</i> <sub>t</sub>	<i>L</i> <sub>v</sub>	<i>L</i> <sub>t</sub>	<i>L</i> <sub>v</sub>	<i>L</i> <sub>t</sub>	<i>L</i> <sub>v</sub>	<i>L</i> <sub>t</sub>	
20	16														
25	21														
30	26	18*	25	20	24	20	24		24						
35	31	21*	30	20	29	20	29	20	28						
40	36	24*	35	25	34	25	34	23	33						
45	41	27*	40	25	39	25	39	28	38						
50	46	31*	45	30	44	30	44	28	43	30					
55			50	35	49	30	49	38	48	30					
60			54	35	54	35	54	38	53	35					
65			40	60	60	35	60	38	58	35					
70			40	60	60	40	60	42	60	40					
75				40	60	40	60	42	60	40					
80				50	60	50	60	47	60	45	60	60		60	
90								55	60	55	60	60		60	
100								60	60	60	60	60		60	
110								60	60	60	60	60		60	
120								60	60	60	60	60		60	
130									60	60	60	60		60	
140			Lv and „*” without shank ribs										60	60	60
150											60	60	60	60	
160											60	60	60	60	
180											60	60	60	60	
190											60	60	60	60	
200											60	60	60	60	
220 - 300			with 20mm grading										60	60	60
320 - 400			with 20mm grading										60	60	60
420 - 500			with 20mm grading										60	60	60

Other thread lengths for  $l_g \geq 4 \cdot d$  up to max. standard thread length, are allowed

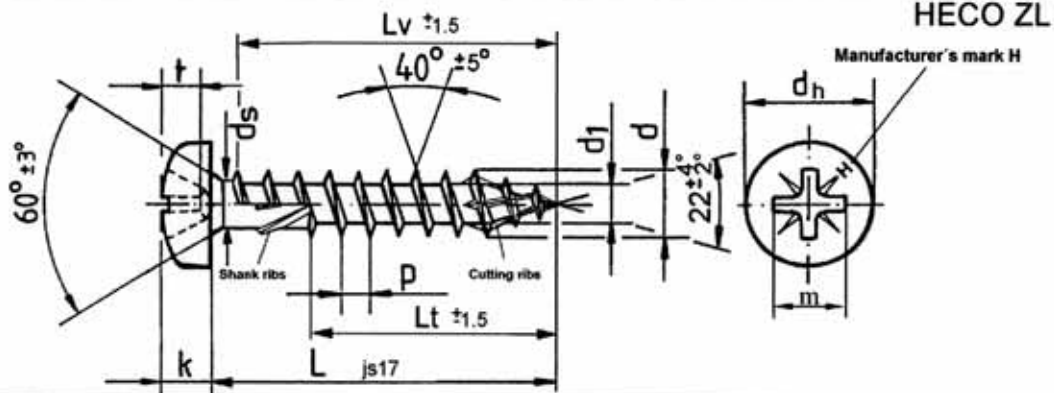
HECO-FIX-plus and HECO-TOPIX self-tapping screws

HECO-TOPIX Countersunk Head, T-Drive

Annex 3.11

English translation prepared by DIBt

Material: Cold heading acc. HECO specification  
stainless steel



Nom. diameter	Ø 3,5	Ø 4,0	Ø 4,5	Ø 5,0	Ø 6,0	Ø 8,0	Ø 10,0							
$d$	upper tol. 3,6 +0,2 lower tol. -0,2	4,1 +0,2 -0,2	4,6 +0,2 -0,2	5,2 +0,2 -0,3	6,2 +0,3 -0,3	8,0 +0,4 -0,1	10 +0,45 -0,1							
$d_1$	upper tol. 2,55 lower tol. 2,2	2,95 2,6	3,25 2,85	3,7 3,35	4,4 4,05	5,45 5,05	6,65 6,2							
$d_h$	upper tol. 6,8 +0,3 lower tol. -0,3	7,8 +0,3 -0,3	8,7 +0,4 -0,4	9,4 +0,4 -0,4	11,8 +0 -0,6	14,8 +0 -0,5	18,5 +0 -0,5							
$d_s$	upper tol. 2,75 lower tol. 2,55	3,15 2,95	3,45 3,25	3,9 3,7	4,7 4,5	5,8 5,6	7,1 6,9							
$P$	±10% 2,6	3,0	3,4	3,8	4,5	6,0	7,5							
$k$	upper tol. 2,6 lower tol. 2,35	2,9 2,55	3,05 2,75	3,4 3,1	4,0 3,7	5,4 5,0	6,5 6,1							
Recess Z	2	2	2	2	3	4	4							
$t$	upper tol. 1,85 lower tol. 1,6	2,46 2,2	2,72 2,26	3,15 2,59	3,48 3,02	4,17 3,71	5,69 5,23							
$m$	3,8	4,4	4,6	5,1	6,7	8,5	9,9							
$L$	$L_v$	$L_t$	$L_v$	$L_t$	$L_v$	$L_t$	$L_v$	$L_t$	$L_v$	$L_t$	$L_v$	$L_t$	$L_v$	$L_t$
20	16													
25	21		20		20		20							
30	26	18*	25	20	24	20	24		24					
35	31	21*	30	20	29	20	29	20	28					
40	36	24*	35	25	34	25	34	23	33					
45	41	27*	40	25	39	25	39	28	38					
50	46	31*	45	30	44	30	44	28	43	30				
55			50	35	49	30	49	38	48	30				
60			54	35	54	35	54	38	53	35				
65				40	60	35	60	38	58	35				
70				40	60	40	60	42	60	40				
75					60	40	60	42	60	40				
80						50	60	47	60	45		60		60
90								55		55		60		60
100								60		60		60		60
110								60		60		70		60
120								60		60		70		60
130										60		70		60
140										60		70		60
150										60		70		60
160										60		70		60
180										60		100		60
190										60		100		60
200										60		100		60
220 - 300										60		100		60
320 - 400										60		100		60

Other thread lengths for  $l_g \geq 4 \cdot d$  up to max. standard thread length, are allowed

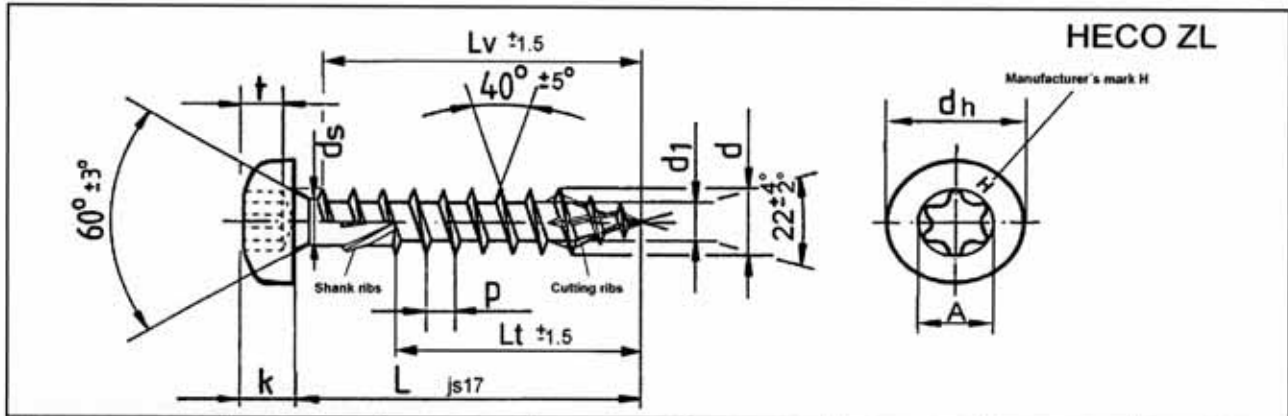
HECO-FIX-plus and HECO-TOPIX self-tapping screws

HECO-TOPIX Pan-Head, Pozi-Drive

Annex 3.12

English translation prepared by DIBt

Material: Cold heading acc. HECO specification  
stainless steel



Nom. diameter	Ø 3,5	Ø 4,0	Ø 4,5	Ø 5,0	Ø 6,0	Ø 8,0	Ø 10,0							
$d$	upper tol. 3,6 +0,2 lower tol. -0,2	4,1 +0,2 -0,2	4,6 +0,2 -0,2	5,2 +0,2 -0,3	6,2 +0,3 -0,3	8,0 +0,4 -0,1	10 +0,45 -0,1							
$d_1$	upper tol. 2,55 lower tol. 2,2	2,95 2,6	3,25 2,85	3,7 3,35	4,4 4,05	5,45 5,05	6,65 6,2							
$d_h$	upper tol. 6,8 +0,3 lower tol. -0,3	7,8 +0,3 -0,3	8,7 +0,4 -0,4	9,4 +0,4 -0,4	11,8 +0 -0,6	14,8 +0 -0,5	18,5 +0 -0,5							
$d_s$	upper tol. 2,75 lower tol. 2,55	3,15 2,95	3,45 3,25	3,9 3,7	4,7 4,5	5,8 5,6	7,1 6,9							
$P$ ±10%	2,6	3,0	3,4	3,8	4,5	6,0	7,5							
$k$	upper tol. 2,6 lower tol. 2,35	2,9 2,55	3,05 2,75	3,4 3,1	4,0 3,7	5,4 5,0	6,5 6,1							
Recess	T15	T15	T25	T25	T25	T40	T40							
$t$	upper tol. 1,85 lower tol. 1,6	2,46 2,2	2,72 2,26	3,15 2,69	3,48 3,02	3,15 2,85	3,85 3,4							
$A$	3,35	3,35	4,53	4,53	4,53	6,8	6,8							
$L$	$L_v$	$L_t$	$L_v$	$L_t$	$L_v$	$L_t$	$L_v$	$L_t$	$L_v$	$L_t$	$L_v$	$L_t$	$L_v$	$L_t$
20	16													
25	21		20		20		20							
30	26	18*	25	20	24	20	24		24					
35	31	21*	30	20	29	20	29	20	28					
40	36	24*	35	25	34	25	34	23	33					
45	41	27*	40	25	39	25	39	28	38					
50	46	31*	45	30	44	30	44	28	43	30				
55			50	35	49	30	49	38	48	30				
60			54	35	54	35	54	38	53	35				
65				40	60	35	60	38	58	35				
70				40	60	40	60	42	60	40				
75					40	60	42	60	40					
80					50	60	47	60	45		60		60	
90							55		55		60		60	
100							60		60		60		60	
110							60		60		70		80	
120							60		60		70		80	
130									60		70		80	
140									60		70		80	
150									60		70		80	
160									60		70		100	
180									60		100		100	
190									60		100		100	
200									60		100		100	
220 - 300									60		100		100	
320 - 400									60		100		100	

Other thread lengths for  $l_g \geq 4 \cdot d$  up to max. standard thread length, are allowed

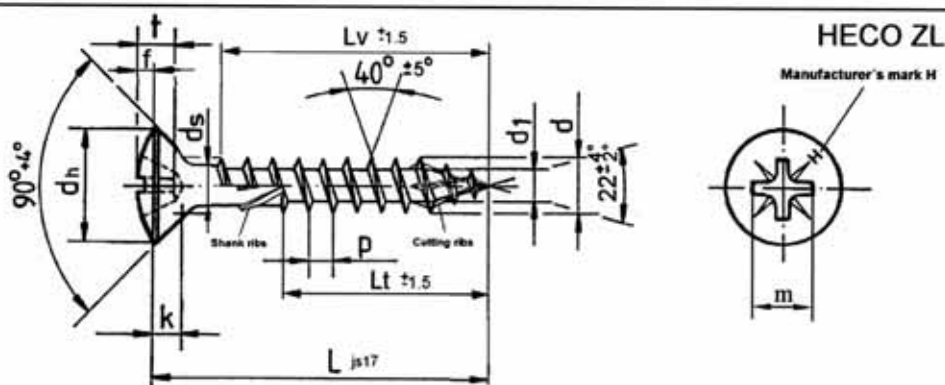
HECO-FIX-plus and HECO-TOPIX self-tapping screws

HECO-TOPIX Pan-Head, T-Drive

Annex 3.13

English translation prepared by DIBt

Material: Cold heading acc. HECO specification  
stainless steel



Nom. diameter		Ø 3,5	Ø 4,0	Ø 4,5	Ø 5,0	Ø 6,0	Ø 8,0	Ø 10,0							
<b>d</b>	upper tol. lower tol.	3,6 <sup>+0,25</sup> <sub>-0,2</sub>	4,1 <sup>+0,25</sup> <sub>-0,2</sub>	4,6 <sup>+0,25</sup> <sub>-0,2</sub>	5,2 <sup>+0,2</sup> <sub>-0,3</sub>	6,2 <sup>+0,3</sup> <sub>-0,3</sub>	8,0 <sup>+0,4</sup> <sub>-0,1</sub>	10 <sup>+0,45</sup> <sub>-0,1</sub>							
<b>d1</b>	upper tol. lower tol.	2,55 2,2	2,95 2,6	3,25 2,85	3,7 3,35	4,4 4,05	5,45 5,05	6,65 6,2							
<b>dh</b>	upper tol. lower tol.	6,8 <sup>+0,3</sup> <sub>-0,3</sub>	7,8 <sup>+0,3</sup> <sub>-0,3</sub>	8,7 <sup>+0,4</sup> <sub>-0,4</sub>	9,4 <sup>+0,4</sup> <sub>-0,4</sub>	11,8 <sup>+0</sup> <sub>-0,6</sub>	14,8 <sup>+0</sup> <sub>-0,5</sub>	18,5 <sup>+0</sup> <sub>-0,5</sub>							
<b>ds</b>	upper tol. lower tol.	2,75 2,55	3,15 2,95	3,45 3,25	3,9 3,7	4,7 4,5	5,8 5,6	7,1 6,9							
<b>P</b>	±10%	2,6	3,0	3,4	3,8	4,5	6,0	7,5							
<b>k</b>	upper tol. lower tol.	2,1 1,8	2,5 2,1	2,7 2,3	3,0 2,6	3,6 3,1	4,7 4,0	6,0 5,2							
<b>f</b>	upper tol. lower tol.	1,2 0,9	1,3 1,0	1,55 1,15	1,55 1,15	1,95 1,55	2,2 1,7	3,3 2,8							
<b>Recess Z</b>		2	2	2	2	3	4	4							
<b>t</b>	upper tol. lower tol.	2,11 1,65	2,72 2,26	3,15 2,69	3,35 2,89	3,86 3,4	4,52 4,06	6,17 5,71							
<b>m</b>		4,0	4,6	5,1	5,3	7,1	8,8	10,4							
<b>L</b>		Lv	Lt	Lv	Lt	Lv	Lt	Lv	Lt	Lv	Lt	Lv	Lt	Lv	Lt
20		16													
25		21		20		20									
30		26	18*	25	20	24	20	24		24					
35		31	21*	30	20	29	20	29	20	28					
40		36	24*	35	25	34	25	34	23	33					
45		41	27*	40	25	39	25	39	28	38					
50		46	31*	45	30	44	30	44	28	43	30				
55				50	35	49	30	49	38	48	30				
60				54	35	54	35	54	38	53	35				
65					40	60	35	60	38	58	35				
70					40	60	40	60	42	60	40				
75							40	60	42	60	40				
80							50	60	47	60	45		60		60
90									55		55		60		60
100									60		60		60		80
110									60		60		70		80
120									60		60		70		80
130											60		70		80
140											60		70		80
150											60		70		80
160											60		70		100
180											60		100		100
190											60		100		100
200											60		100		100
220 - 300											60		100		100
320 - 400											60		100		100
420 - 500											60		100		100

Other thread lengths for  $lg \geq 4 \cdot d$  up to max. standard thread length, are allowed

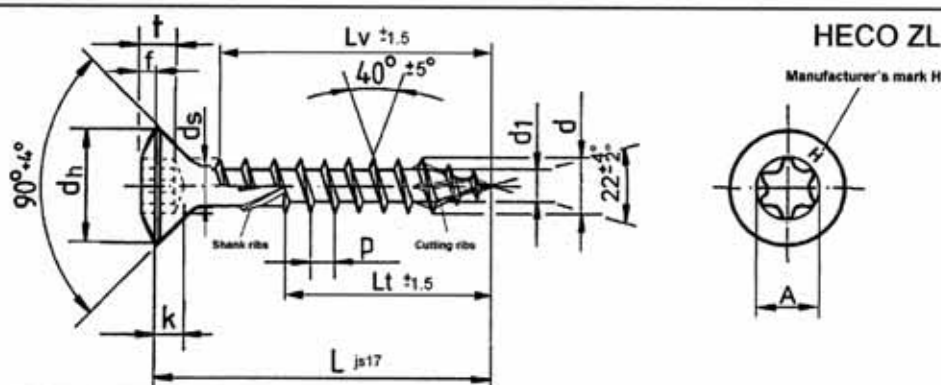
HECO-FIX-plus and HECO-TOPIX self-tapping screws

HECO-TOPIX Raised Countersunk Head, Pozi-Drive

Annex 3.14

English translation prepared by DIBt

Material: Cold heading acc. HECO specification  
stainless steel



Nom. diameter	Ø 3,5	Ø 4,0	Ø 4,5	Ø 5,0	Ø 6,0	Ø 8,0	Ø 10,0							
<b>d</b>	upper tol. 3,6 +0,2 lower tol. -0,2	4,1 +0,2 -0,2	4,6 +0,2 -0,2	5,2 +0,2 -0,3	6,2 +0,3 -0,3	8,0 +0,4 -0,1	10 +0,45 -0,1							
<b>d1</b>	upper tol. 2,55 lower tol. 2,2	2,95 2,6	3,25 2,85	3,7 3,35	4,4 4,05	5,45 5,05	6,65 6,2							
<b>dh</b>	upper tol. 6,8 +0,3 lower tol. -0,3	7,8 +0,3 -0,3	8,7 +0,4 -0,4	9,4 +0,4 -0,4	11,8 +0 -0,6	14,8 +0 -0,5	18,5 +0 -0,5							
<b>ds</b>	upper tol. 2,75 lower tol. 2,55	3,15 2,95	3,45 3,25	3,9 3,7	4,7 4,5	5,8 5,6	7,1 6,9							
<b>P</b>	±10%	2,6	3,0	3,4	3,8	4,5	6,0							
<b>k</b>	upper tol. 2,1 lower tol. 1,8	2,5 2,1	2,7 2,3	3,0 2,6	3,6 3,1	4,7 4,0	6,0 5,2							
<b>f</b>	upper tol. 1,05 lower tol. 0,75	1,3 1,0	1,35 0,95	1,35 0,95	1,95 1,55	2,2 1,7	3,3 2,8							
<b>Recess</b>		T15	T15	T25	T25	T25	T40							
<b>t</b>	upper tol. 1,47 lower tol. 1,27	1,65 1,4	1,8 1,5	2,15 1,85	2,6 2,3	3,15 2,85	3,85 3,4							
<b>A</b>		3,35	3,35	4,53	4,53	4,53	6,8							
<b>L</b>	Lv	Lt	Lv	Lt	Lv	Lt	Lv	Lt	Lv	Lt	Lv	Lt	Lv	Lt
20	16													
25	21		20		20		20							
30	26	18*	25	20	24	20	24		24					
35	31	21*	30	20	29	20	29	20	28					
40	36	24*	35	25	34	25	34	23	33					
45	41	27*	40	25	39	25	39	28	38					
50	46	31*	45	30	44	30	44	28	43	30				
55			50	35	49	30	49	38	48	30				
60			54	35	54	35	54	38	53	35				
65				40	60	35	60	38	58	35				
70				40	60	40	60	42	60	40				
75						40	60	42	60	40				
80						50	60	47	60	45		60		60
90								55	60	55		60		60
100								60	60	60		60		80
110								60	60	60		70		80
120								60	60	60		70		80
130										60		70		80
140										60		70		80
150										60		70		80
160										60		70		100
180										60		100		100
190										60		100		100
200										60		100		100
220 - 300										60		100		100
320 - 400										60		100		100
420 - 500										60		100		100

Other thread lengths for  $l_g \geq 4 \cdot d$  up to max. standard thread length, are allowed

HECO-FIX-plus and HECO-TOPIX self-tapping screws

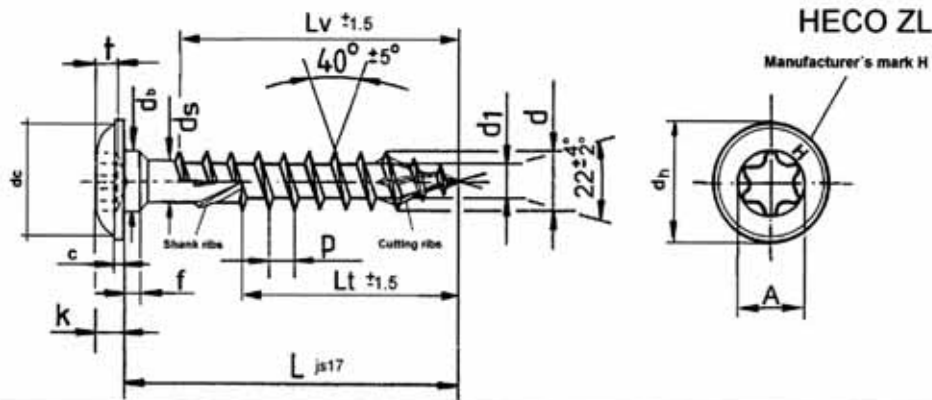
HECO-TOPIX Raised Countersunk Head, T-Drive

Annex 3.15



English translation prepared by DIBt

Material: Cold heading acc. HECO specification  
stainless steel



Nom. diameter						Ø 6,0		Ø 8,0		Ø 10,0	
$d$	upper tol. lower tol.					6,2	$+0,3$ $-0,3$	8	$+0,4$ $-0,1$	10	$+0,45$ $-0,1$
$d_1$	upper tol. lower tol.					3,95		5,45		6,65	
$d_h$	upper tol. lower tol.					14	$+1$ $-1$	17,5	$+1$ $-1$	22,5	$+1$ $-1$
$d_b$	upper tol. lower tol.					6,2	$+0,3$ $-0,3$	8	$+0,5$ $-0,5$	10	$+0,5$ $-0,5$
$d_s$	upper tol. lower tol.					4,4		5,8		7,1	
$d_c$						ca. 12		ca. 16		ca. 20	
$P$	$\pm 10\%$					4,5		6,0		7,5	
$k$	upper tol. lower tol.					2,9		4,0		4,2	
$f$	upper tol. lower tol.					1,8		2,6		2,6	
$c$	upper tol. lower tol.					1,7		2,0		2,3	
Recess						T25		T40		T40	
$t$	upper tol. lower tol.					2,7		3,5		4,0	
$A$						4,5		6,8		6,8	
$L$		$L_v$	$L_t$	$L_v$	$L_t$	$L_v$	$L_t$	$L_v$	$L_t$	$L_v$	$L_t$
40						33					
50						43		40			
60						53		50			
70						60		60			
80						70	60	70	60		60
90							70	80	60		60
100							70	80	60		60
120							70	100	70		80
140							70		70		80
160							70		100		100
180							70		100		100
200							70		100		100
220							70		100		100
240							70		100		100
260							70		100		100
280							70		100		100
300-400							70		100		100

Other thread lengths for  $l_g \geq 4 \cdot d$  up to max. standard thread length, are allowed

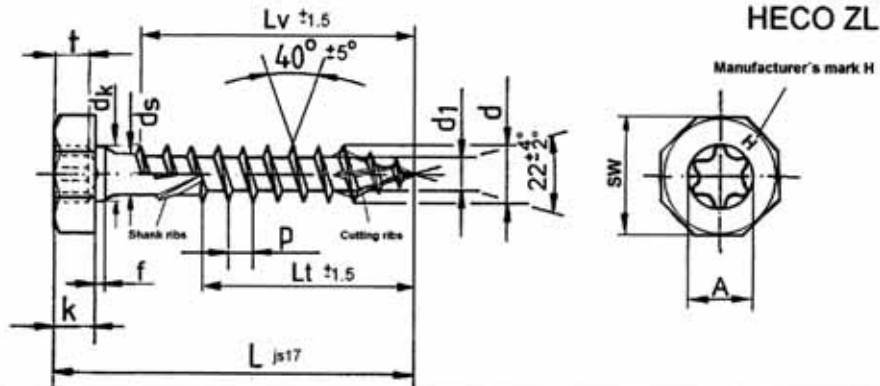
HECO-FIX-plus and HECO-TOPIX self-tapping screws

HECO-TOPIX Flange Head, T-Drive

Annex 3.16

English translation prepared by DIBt

Material: Cold heading acc. HECO specification  
stainless steel



Nom. diameter																Ø 10,0			
d	upper tol. lower tol.																10	<sup>+0,45</sup> <sub>-0,1</sub>	
d1	upper tol. lower tol.																	6,65	6,2
SW	upper tol. lower tol.																	15	<sup>+0</sup> <sub>-0,33</sub>
dh	upper tol. lower tol.																	10	<sup>+0</sup> <sub>-0,2</sub>
ds	upper tol. lower tol.																	7,1	6,9
P	±10%																	7,5	
k	upper tol. lower tol.																	5,3	4,7
f	upper tol. lower tol.																	2,3	1,7
Recess																		T40	
t	upper tol. lower tol.																	3,6	3,1
A																		6,8	
L		Lv	Lt	Lv	Lt	Lv	Lt	Lv	Lt	Lv	Lt	Lv	Lt	Lv	Lt	Lv	Lt		
80																			60
90																			60
100																			60
120																			70
140																			70
160																			100
180																			100
200																			100
220																			100
240																			100
260																			100
280																			100
300																			100
320																			100
340																			100
360																			100
400																			100

Other thread lengths for  $l_g \geq 4 \cdot d$  up to max. standard thread length, are allowed

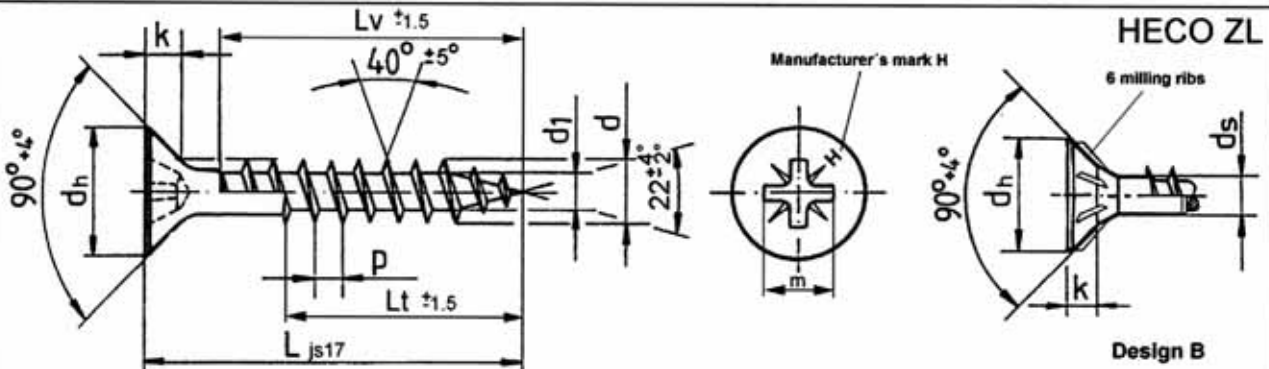
HECO-FIX-plus and HECO-TOPIX self-tapping screws

HECO-TOPIX Hexagon Head, T-Drive

Annex 3.17

English translation prepared by DIBt

Material: Cold heading acc. HECO specification  
carbon steel



Nom. diameter	Ø 3,5	Ø 4,0	Ø 4,5	Ø 5,0	Ø 6,0	Ø 8,0	Ø 10,0							
<b>d</b>	upper tol. 3,5 +0,2 lower tol. -0,3	4,0 +0,2 -0,3	4,4 +0,3 -0,25	4,9 +0,35 -0,25	6,0 +0,3 -0,4	7,8 +0,4 -0,4	10 +0,2 -0,5							
<b>d1</b>	upper tol. 2,35 lower tol. 2,0	2,6 2,25	2,9 2,5	3,2 2,8	3,95 3,5	5,2 4,7	6,5 6,0							
<b>dh</b>	upper tol. 6,8 +0,3 lower tol. -0,3	7,8 +0,3 -0,3	8,7 +0,4 -0,4	9,4 +0,4 -0,4	11,8 +0 -0,6	14,8 +0 -0,5	18,5 +0 -0,5							
<b>ds</b>	upper tol. 2,65 lower tol. 2,45	2,95 2,75	3,3 3,1	3,7 3,5	4,4 4,2	5,8 5,6	7,1 6,9							
<b>P ±10%</b>	1,75-2,1	2,0-2,5	2,25-2,8	2,5-3,1	3,0-3,75	4,0	5,0							
<b>k</b>	upper tol. 2,1 lower tol. 1,8	2,5 2,1	2,7 2,3	3,0 2,6	3,6 3,1	4,7 4,0	6,0 5,2							
<b>Recess Z</b>	2	2	2	2	3	4	4							
<b>t</b>	upper tol. 2,06 lower tol. 1,7	2,51 2,05	3,1 2,64	3,45 3,0	3,45 3,0	4,32 3,86	5,65 5,2							
<b>m</b>	4,0	4,4	4,9	5,3	6,6	8,5	9,8							
<b>L</b>	Lv	Lt	Lv	Lt	Lv	Lt	Lv	Lt	Lv	Lt	Lv	Lt	Lv	Lt
25	21	15	20		19		20							
30	26	18	25	18	24		24							
35	31	21	30	22	29	22	29	22	28					
40	36	23	35	25	34	24	34	24	33	24				
45	41	28	40	27	39	27	39	27	38	28				
50	46	31	45	30	44	29	44	29	43	31				
55			50	37	59	37	49	37	48	33				
60			54	37	54	37	54	37	53	36			42	
65			60	42	60	42	60	42	60	43				
70			60	42	60	42	60	42	60	43			42	
75			60	47	60	47	60	48	60	48				
80			60	47	60	47	60	48	60	48			60	60
90					60	60	60	54	60	53			60	60
100					60	60	60	60	60	60			80	80
110								70	70	70				
120								70	70	70			80	80
130									70	70			80	80
140									70	70			80	100
150									70	70				
160									80	80			80	100
180									80	80			80	100
190									80	80				
200									80	80			100	100
220									80	80			100	100
240									80	80			100	100
260 - 300	with 20mm grading								80	80			100	100
320 - 460	with 20mm grading								80	80			100	100
480 - 500	with 20mm grading								80	80			100	100

Other thread lengths for  $l_g \geq 4 \cdot d$  up to max. standard thread length, are allowed

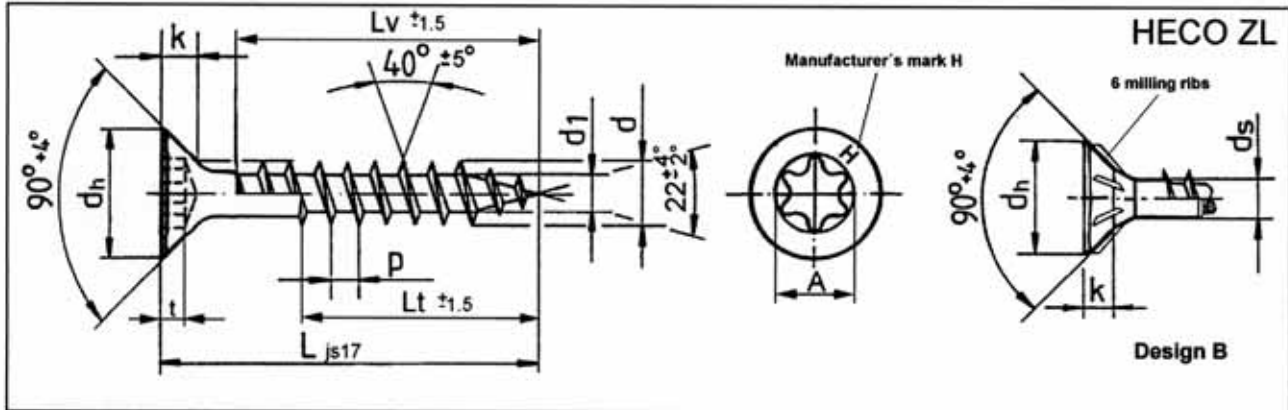
HECO-FIX-plus and HECO-TOPIX self-tapping screws

HECO-FIX-plus Countersunk Head, Pozi-Drive

Annex 3.18

English translation prepared by DIBt

Material: Cold heading acc. HECO specification  
carbon steel



Nom. diameter	Ø 3,5	Ø 4,0	Ø 4,5	Ø 5,0	Ø 6,0	Ø 8,0	Ø 10,0							
<i>d</i>	upper tol. 3,5 +0,2 lower tol. -0,3	4,0 +0,2 -0,3	4,4 +0,3 -0,25	4,9 +0,35 -0,25	6,0 +0,3 -0,4	7,8 +0,4 -0,4	10 +0,2 -0,5							
<i>d</i> <sub>1</sub>	upper tol. 2,35 lower tol. 2,0	2,6 2,25	2,9 2,5	3,2 2,8	3,95 3,5	5,2 4,7	6,5 6,0							
<i>d</i> <sub>h</sub>	upper tol. 6,8 +0,3 lower tol. -0,3	7,8 +0,3 -0,3	8,7 +0,4 -0,4	9,4 +0,4 -0,4	11,8 +0 -0,6	14,8 +0 -0,5	18,5 +0 -0,5							
<i>d</i> <sub>s</sub>	upper tol. 2,65 lower tol. 2,45	2,95 2,75	3,3 3,1	3,7 3,5	4,4 4,2	5,8 5,6	7,1 6,9							
<i>P</i> ±10%	1,75-2,1	2,0-2,5	2,25-2,8	2,5-3,1	3,0-3,75	4,0	5,0							
<i>k</i>	upper tol. 2,1 lower tol. 1,8	2,5 2,1	2,7 2,3	3,0 2,6	3,6 3,1	4,7 4,0	6,0 5,2							
Recess	T15	T15	T25	T25	T25	T40	T40							
<i>t</i>	upper tol. 1,47 lower tol. 1,27	1,65 1,4	1,8 1,5	2,15 1,85	2,6 2,3	3,15 2,85	3,85 3,4							
<i>A</i>	3,35	3,35	4,53	4,53	4,53	6,8	6,8							
<i>L</i>	<i>L</i> <sub>v</sub>	<i>L</i> <sub>t</sub>	<i>L</i> <sub>v</sub>	<i>L</i> <sub>t</sub>	<i>L</i> <sub>v</sub>	<i>L</i> <sub>t</sub>	<i>L</i> <sub>v</sub>	<i>L</i> <sub>t</sub>	<i>L</i> <sub>v</sub>	<i>L</i> <sub>t</sub>	<i>L</i> <sub>v</sub>	<i>L</i> <sub>t</sub>	<i>L</i> <sub>v</sub>	<i>L</i> <sub>t</sub>
25	21	15	20		19		20							
30	26	18	25	18	24		24							
35	31	21	30	22	29	22	29	22		28				
40	36	23	35	25	34	24	34	24	33	24				
45	41	28	40	27	39	27	39	27	38	28				
50	46	31	45	30	44	29	44	29	43	31				
55			50	37	59	37	49	37	48	33				
60			54	37	54	37	54	37	53	38		42		
65			60	42	60	42	60	42	60	43				
70			60	42	60	42	60	42	60	43		42		
75			60	47	60	47	60	48	60	48				
80			60	47	60	47	60	48	60	48		60		60
90					60	60	54	60	53	60		60		60
100					60	60	60	60	60	60		80		80
110							70		70					
120							70		70			80		80
130									70					
140									70			80		100
150									70					
160									80			80		100
180									80			80		100
190									80					
200									80			100		100
220									80			100		100
240									80			100		100
260 - 300	with 20mm grading								80			100		100
320 - 460	with 20mm grading								80			100		100
480 - 500	with 20mm grading								80			100		100

Other thread lengths for  $l_g \geq 4 \cdot d$  up to max. standard thread length, are allowed

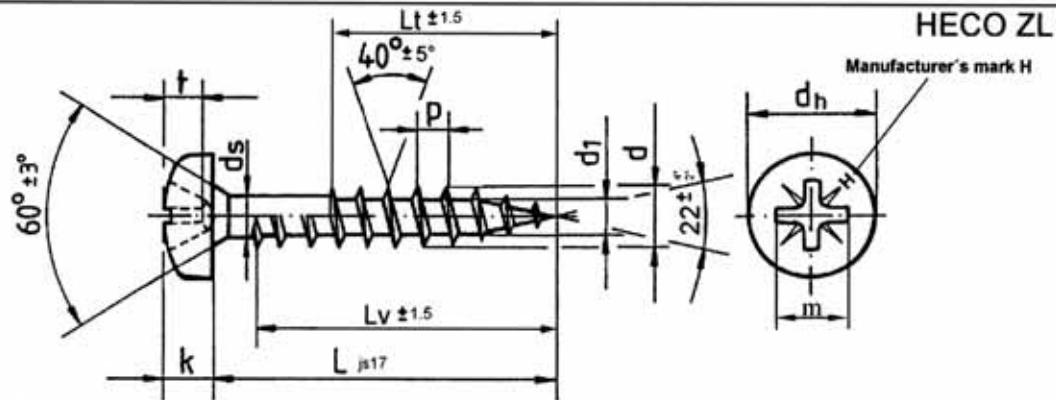
HECO-FIX-plus and HECO-TOPIX self-tapping screws

HECO-FIX-plus Countersunk Head, T-Drive

Annex 3.19

English translation prepared by DIBt

Material: Cold heading acc. HECO specification  
carbon steel



Nom. diameter	Ø 3,5		Ø 4,0		Ø 4,5		Ø 5,0		Ø 6,0		Ø 8,0		Ø 10,0	
<b>d</b>	upper tol.	3,5 +0,2	4,0 +0,2	4,4 +0,3	4,9 +0,35	6,0 +0,3	7,8 +0,4	10 +0,2						
	lower tol.	-0,3	-0,3	-0,25	-0,25	-0,4	-0,4	-0,5						
<b>d1</b>	upper tol.	2,35	2,6	2,9	3,2	3,95	5,2	6,5						
	lower tol.	2,0	2,25	2,5	2,8	3,5	4,7	6,0						
<b>dh</b>	upper tol.	6,8 +0,3	7,8 +0,3	8,7 +0,4	9,4 +0,4	11,8 +0	14,8 +0	18,5 +0						
	lower tol.	-0,3	-0,3	-0,4	-0,4	-0,6	-0,5	-0,5						
<b>ds</b>	upper tol.	2,65	2,95	3,3	3,7	4,4	5,8	7,1						
	lower tol.	2,45	2,75	3,1	3,5	4,2	5,6	6,9						
<b>P ±10%</b>		1,75-2,1	2,0-2,5	2,25-2,8	2,5-3,1	3,0-3,75	4,0	5,0						
<b>k</b>	upper tol.	2,6	2,9	3,05	3,4	4,0	5,4	6,5						
	lower tol.	2,35	2,55	2,75	3,1	3,7	5,0	6,1						
<b>Recess Z</b>		2	2	2	2	3	4	4						
<b>t</b>	upper tol.	1,85	2,46	2,72	3,15	3,48	4,17	5,69						
	lower tol.	1,6	2,2	2,26	2,69	3,02	3,71	5,23						
<b>m</b>		3,8	4,4	4,6	5,1	6,7	8,5	9,9						
<b>L</b>		Lv	Lt	Lv	Lt	Lv	Lt	Lv	Lt	Lv	Lt	Lv	Lt	
25		22	15	22		22		22						
30		27	18	27	18	27		27		27				
35		32	21	32	22	32	22	32	22	32				
40		37	23	37	25	37	24	37	24	37	24			
45		42	28	42	27	42	27	42	27	42	28			
50		47	31	47	30	46	29	47	29	46	31			
55				50	37	50	37	51	37	51	33			
60				55	37	54	37	54	37	54	38	42		
65				60	42	60	42	60	42	60	43			
70				60	42	60	42	60	42	60	43	42		
75				60	47	60	47	60	48	60	48			
80				60	47	60	47	60	48	60	48	60	60	
90						60	60	54	60	53	60	60	60	
100								60	60	60	60	80	80	
110									70	70	70			
120									70	70	70	80	80	
130										70	70			
140										70	70	80	100	
150										70	70			
160										80	80	80	100	
180										80	80	80	100	
190										80	80			
200										80	80	100	100	
220										80	80	100	100	
240										80	80	100	100	
260 - 300		with 20mm grading								80	80	100	100	
320 - 460		with 20mm grading									100	100	100	
480 - 500		with 20mm grading										100	100	

Other thread lengths for  $l_g \geq 4 \cdot d$  up to max. standard thread length, are allowed

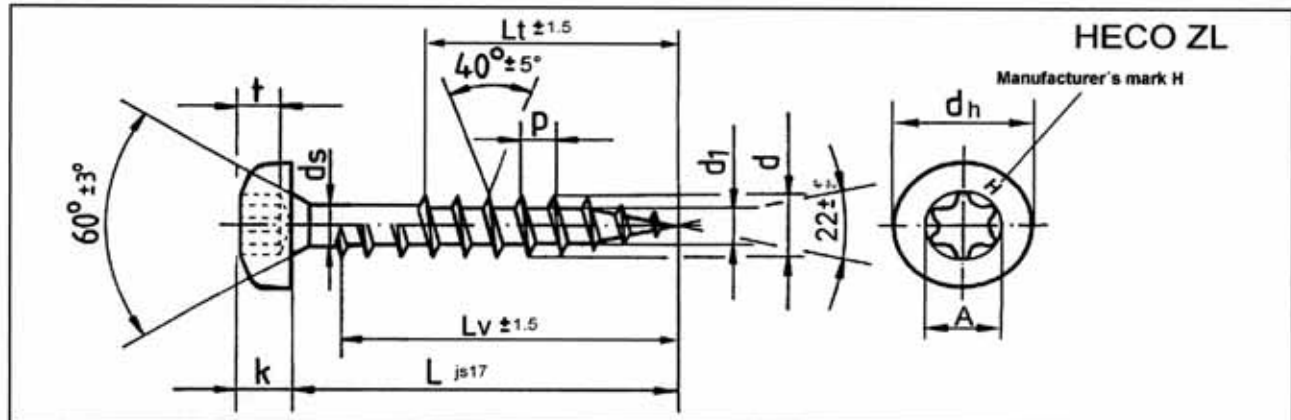
HECO-FIX-plus and HECO-TOPIX self-tapping screws

HECO-FIX-plus Pan-Head, Pozi-Drive

Annex 3.20

English translation prepared by DIBt

Material: Cold heading acc. HECO specification  
carbon steel



Nom. diameter	Ø 3,5	Ø 4,0	Ø 4,5	Ø 5,0	Ø 6,0	Ø 8,0	Ø 10,0							
<i>d</i>	upper tol. 3,5 lower tol. -0,3	4,0 +0,2 -0,3	4,4 +0,3 -0,25	4,9 +0,35 -0,25	6,0 +0,3 -0,4	7,8 +0,4 -0,4	10 +0,2 -0,5							
<i>d</i> <sub>1</sub>	upper tol. 2,35 lower tol. 2,0	2,6 2,25	2,9 2,5	3,2 2,8	3,95 3,5	5,2 4,7	6,5 6,0							
<i>d</i> <sub>h</sub>	upper tol. 6,8 lower tol. -0,3	7,8 +0,3 -0,3	8,7 +0,4 -0,4	9,4 +0,4 -0,4	11,8 +0 -0,6	14,8 +0 -0,5	18,5 +0 -0,5							
<i>d</i> <sub>s</sub>	upper tol. 2,65 lower tol. 2,45	2,95 2,75	3,3 3,1	3,7 3,5	4,4 4,2	5,8 5,6	7,1 6,9							
<i>P</i> ±10%	1,75-2,1	2,0-2,5	2,25-2,8	2,5-3,1	3,0-3,75	4,0	5,0							
<i>k</i>	upper tol. 2,6 lower tol. 2,35	2,9 2,55	3,05 2,75	3,4 3,1	4,0 3,7	5,4 5,0	6,5 6,1							
Recess	T15	T15	T25	T25	T25	T40	T40							
<i>t</i>	upper tol. 1,5 lower tol. 1,2	1,7 1,3	1,9 1,4	2,2 1,8	2,7 2,2	3,15 2,85	3,85 3,4							
<i>A</i>	3,35	3,35	4,53	4,53	4,53	6,8	6,8							
<i>L</i>	<i>L</i> <sub>v</sub>	<i>L</i> <sub>t</sub>	<i>L</i> <sub>v</sub>	<i>L</i> <sub>t</sub>	<i>L</i> <sub>v</sub>	<i>L</i> <sub>t</sub>	<i>L</i> <sub>v</sub>	<i>L</i> <sub>t</sub>	<i>L</i> <sub>v</sub>	<i>L</i> <sub>t</sub>	<i>L</i> <sub>v</sub>	<i>L</i> <sub>t</sub>	<i>L</i> <sub>v</sub>	<i>L</i> <sub>t</sub>
25	22	15	22		22		22							
30	27	18	27	18	27		27							
35	32	21	32	22	32	22	32	22						
40	37	23	37	25	37	24	37	24	37	24				
45	42	28	42	27	42	27	42	27	42	28				
50	47	31	47	30	46	29	47	29	46	31				
55			50	37	50	37	51	37	51	33				
60			55	37	54	37	54	37	54	36				
65			60	42	60	42	60	42	60	43				
70			60	42	60	42	60	42	60	43			42	
75			60	47	60	47	60	48	60	48				
80			60	47	60	47	60	48	60	48			60	60
90					60	60	54	60	53				60	60
100					60		60	60	60				80	80
110							70		70					
120							70		70				80	80
130									70					
140									70				80	100
150									70					
160									80				80	100
180									80				80	100
190									80					
200									80				100	100
220									80				100	100
240									80				100	100
260 - 300			with 20mm grading						80				100	100
320 - 460			with 20mm grading										100	100
480 - 500			with 20mm grading										100	100

Other thread lengths for  $l_g \geq 4 \cdot d$  up to max. standard thread length, are allowed

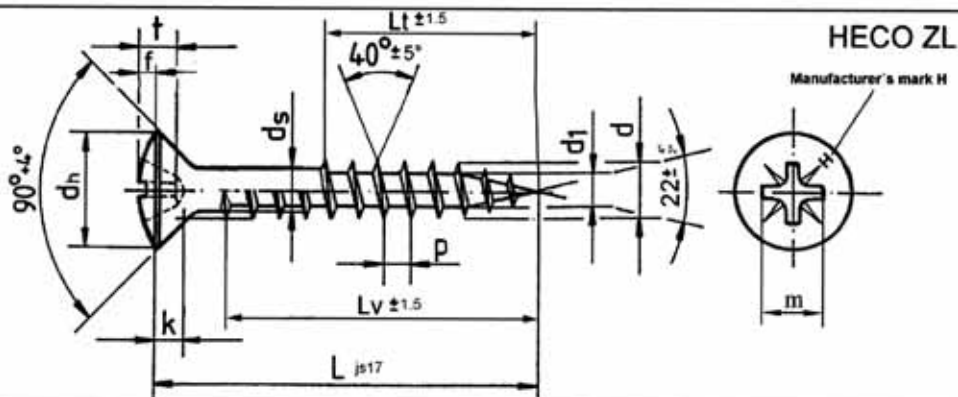
HECO-FIX-plus and HECO-TOPIX self-tapping screws

HECO-FIX-plus Pan-Head, T-Drive

Annex 3.21

English translation prepared by DIBt

Material: Cold heading acc. HECO specification  
carbon steel



Nom. diameter		Ø 3,5	Ø 4,0	Ø 4,5	Ø 5,0	Ø 6,0	Ø 8,0	Ø 10,0							
<b>d</b>	upper tol. lower tol.	3,5 <sup>+0,2</sup> -0,3	4,0 <sup>+0,2</sup> -0,3	4,4 <sup>+0,3</sup> -0,25	4,9 <sup>+0,35</sup> -0,25	6,0 <sup>+0,3</sup> -0,4	7,8 <sup>+0,4</sup> -0,4	10 <sup>+0,2</sup> -0,5							
<b>d1</b>	upper tol. lower tol.	2,35 2,0	2,6 2,25	2,9 2,5	3,2 2,8	3,95 3,5	5,2 4,7	6,5 6,0							
<b>dh</b>	upper tol. lower tol.	6,8 <sup>+0,3</sup> -0,3	7,8 <sup>+0,3</sup> -0,3	8,7 <sup>+0,4</sup> -0,4	9,4 <sup>+0,4</sup> -0,4	11,8 <sup>+0</sup> -0,6	14,8 <sup>+0</sup> -0,5	18,5 <sup>+0</sup> -0,5							
<b>ds</b>	upper tol. lower tol.	2,65 2,45	2,95 2,75	3,3 3,1	3,7 3,5	4,4 4,2	5,8 5,6	7,1 6,9							
<b>P</b>	±10%	1,75-2,1	2,0-2,5	2,25-2,8	2,5-3,1	3,0-3,75	4,0	5,0							
<b>k</b>	upper tol. lower tol.	2,1 1,8	2,5 2,1	2,7 2,3	3,0 2,6	3,6 3,1	4,7 4,0	6,0 5,2							
<b>f</b>	upper tol. lower tol.	1,2 0,9	1,3 1,0	1,45 1,15	1,55 1,15	1,95 1,55	2,2 1,7	3,3 2,8							
<b>Recess Z</b>		2	2	2	2	3	4	4							
<b>t</b>	upper tol. lower tol.	2,11 1,6	2,72 2,26	3,15 2,6	3,35 2,89	3,86 3,4	4,52 4,06	6,17 5,71							
<b>m</b>		4,0	4,6	5,1	5,3	7,1	8,8	10,4							
<b>L</b>		Lv	Lt	Lv	Lt	Lv	Lt	Lv	Lt	Lv	Lt	Lv	Lt	Lv	Lt
25		21	15	20	19	20									
30		26	18	25	18	24	24		24						
35		31	21	30	22	29	22	29	22	28					
40		36	23	35	25	34	24	34	24	33	24				
45		41	28	40	27	39	27	39	27	38	28				
50		46	31	45	30	44	29	44	29	43	31				
55				50	37	59	37	49	37	48	33				
60				54	37	54	37	54	37	53	36		42		
65				60	42	60	42	60	42	60	43				
70				60	42	60	42	60	42	60	43		42		
75				60	47	60	47	60	48	60	48				
80				60	47	60	47	60	48	60	48		60		60
90						60	60	54	60	53		60		60	60
100						60	60	60	60	60		80		80	80
110							70		70						
120							70		70			80		80	80
130									70						
140									70			80		100	100
150									70						
160									80			80		100	100
180									80			80		100	100
190									80						
200									80			100		100	100
220									80			100		100	100
240									80			100		100	100
260 - 300		with 20mm grading													
320 - 460		with 20mm grading													
480 - 500		with 20mm grading													

Other thread lengths for  $l_g \geq 4 \cdot d$  up to max. standard thread length, are allowed

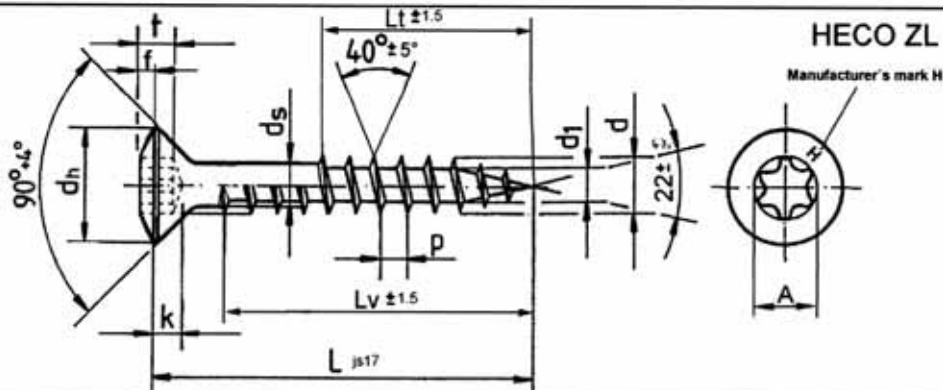
HECO-FIX-plus and HECO-TOPIX self-tapping screws

HECO-FIX-plus Raised Countersunk Head, Pozi-Driv

Annex 3.22

English translation prepared by DIBt

Material: Cold heading acc. HECO specification  
carbon steel



Nom. diameter	Ø 3,5		Ø 4,0		Ø 4,5		Ø 5,0		Ø 6,0		Ø 8,0		Ø 10,0		
<b>d</b>	upper tol.	3,5 +0,2	4,0 +0,2	4,4 +0,3	4,9 +0,35	6,0 +0,3	7,8 +0,4	10 +0,2							
	lower tol.	-0,3	-0,3	-0,25	-0,25	-0,4	-0,4	-0,5							
<b>d1</b>	upper tol.	2,35	2,6	2,9	3,2	3,95	5,2	6,5							
	lower tol.	2,0	2,25	2,5	2,8	3,5	4,7	6,0							
<b>dh</b>	upper tol.	6,8 +0,3	7,8 +0,3	8,7 +0,4	9,4 +0,4	11,8 +0	14,8 +0	18,5 +0							
	lower tol.	-0,3	-0,3	-0,4	-0,4	-0,6	-0,5	-0,5							
<b>ds</b>	upper tol.	2,65	2,95	3,3	3,7	4,4	5,8	7,1							
	lower tol.	2,45	2,75	3,1	3,5	4,2	5,6	6,9							
<b>P</b>	±10%	1,75-2,1	2,0-2,5	2,25-2,8	2,5-3,1	3,0-3,75	4,0	5,0							
<b>k</b>	upper tol.	2,1	2,5	2,7	3,0	3,6	4,7	6,0							
	lower tol.	1,8	2,1	2,3	2,6	3,1	4,0	5,2							
<b>f</b>	upper tol.	1,0	1,3	1,2	1,3	1,95	2,1	3,3							
	lower tol.	0,7	1,0	0,9	0,9	1,55	1,7	2,8							
<b>Recess</b>		T15	T15	T25	T25	T25	T40	T40							
<b>t</b>	upper tol.	1,47	1,65	1,8	2,15	2,6	3,15	3,85							
	lower tol.	1,27	1,4	1,5	1,85	2,3	2,85	3,4							
<b>A</b>		3,35	3,35	4,53	4,53	4,53	6,8	6,8							
<b>L</b>		Lv	Lt	Lv	Lt	Lv	Lt	Lv	Lt	Lv	Lt	Lv	Lt	Lv	Lt
25		21	15	20		19		20							
30		26	18	25	18	24		24							
35		31	21	30	22	29	22	29	22	28					
40		36	23	35	25	34	24	34	24	33	24				
45		41	28	40	27	39	27	39	27	38	28				
50		46	31	45	30	44	29	44	29	43	31				
55				50	37	59	37	49	37	48	33				
60				54	37	54	37	54	37	53	36	42			
65				60	42	60	42	60	42	60	43				
70				60	42	60	42	60	42	60	43	42			
75				60	47	60	47	60	48	60	48				
80				60	47	60	47	60	48	60	48	60	60		
90						60	60	54	60	53	60	60	60	60	
100						60	60	60	60	60	60	80	80	80	
110							70	70	70	70					
120							70	70	70	70	80	80	80		
130								70	70	70					
140								70	70	70	80	80	100		
150								70	70	70					
160								80	80	80	80	80	100		
180								80	80	80	80	80	100		
190								80	80	80					
200								80	80	80	100	100	100		
220								80	80	80	100	100	100		
240								80	80	80	100	100	100		
260 - 300		with 20mm grading						80	80	80	100	100	100		
320 - 460		with 20mm grading						80	80	80	100	100	100		
480 - 500		with 20mm grading						80	80	80	100	100	100		

Other thread lengths for  $l_g \geq 4 \cdot d$  up to max. standard thread length, are allowed

HECO-FIX-plus and HECO-TOPIX self-tapping screws

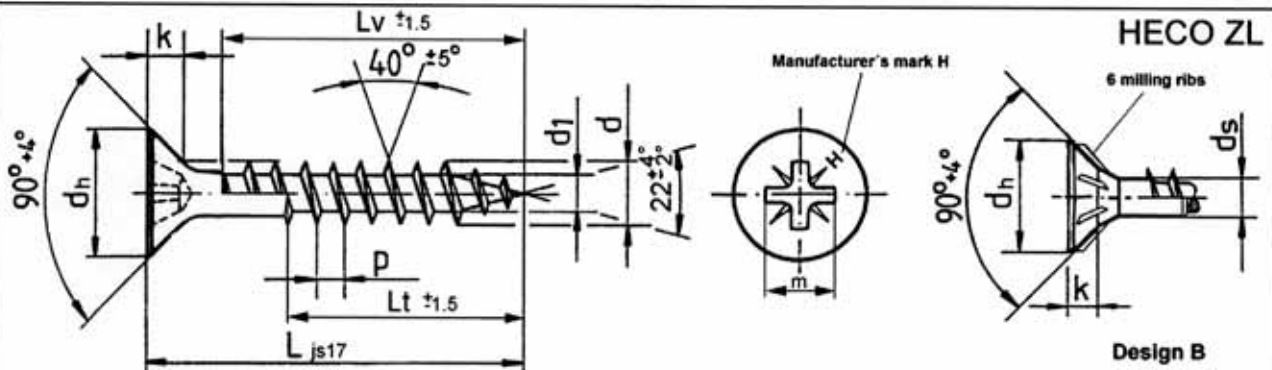
HECO-FIX-plus Raised Countersunk Head, T-Drive

Annex 3.23



English translation prepared by DIBt

Material: Cold heading acc. HECO specification  
stainless steel



Nom. diameter	Ø 3,5		Ø 4,0		Ø 4,5		Ø 5,0		Ø 6,0		Ø 8,0		Ø 10,0			
d	upper tol.	3,5 +0,25	4,0 +0,25	4,5 +0,25	5,0 +0,25	6,0 +0,3	7,8 +0,4	10 +0,2	lower tol.	-0,3	-0,3	-0,3	-0,4	-0,4	-0,5	
d1	upper tol.	2,5	2,9	3,1	3,5	4,1	5,2	6,5	lower tol.	2,2	2,55	2,7	3,05	3,65	4,7	6,0
dh	upper tol.	6,8 +0,3	7,8 +0,3	8,7 +0,4	9,4 +0,4	11,8 +0	14,8 +0	18,5 +0	lower tol.	-0,3	-0,3	-0,4	-0,6	-0,5	-0,5	
ds	upper tol.	2,7	3,15	3,45	3,78	4,4	5,8	7,1	lower tol.	2,6	2,95	3,25	3,58	4,2	5,6	6,9
P	±10%	1,75-2,1	2,0-2,5	2,25-2,8	2,5-3,1	3,0-3,75	4,0	5,0								
k	upper tol.	2,1	2,5	2,7	3,0	3,6	4,7	6,0	lower tol.	1,8	2,1	2,3	2,6	3,1	4,0	5,2
Recess Z		2	2	2	2	3	4	4								
t	upper tol.	2,06	2,51	3,1	3,45	3,45	4,32	5,65	lower tol.	1,7	2,05	2,64	3,0	3,0	3,86	5,2
m		4,0	4,4	4,9	5,3	6,6	8,5	9,8								
L	Lv	Lt	Lv	Lt	Lv	Lt	Lv	Lt	Lv	Lt	Lv	Lt	Lv	Lt		
25	21	15	20		19		20									
30	26	18	25	18	24		24		24							
35	31	21	30	22	29	22	29	22	28							
40	36	23	35	25	34	24	34	24	33	24						
45	41	28	40	27	39	27	39	27	38	28						
50	46	31	45	30	44	29	44	29	43	31						
55			50	37	59	37	49	37	48	33						
60			54	37	54	37	54	37	53	36		42				
65			60	42	60	42	60	42	60	43						
70			60	42	60	42	60	42	60	43		42				
75			60	47	60	47	60	48	60	48						
80			60	47	60	47	60	48	60	48		60		60		
90					60	60	60	54	60	53		60		60		
100						60	60	60	60	60		60		60		
110							70		70							
120								70		70		80		80		
130										70						
140										70		80		100		
150										70						
160										80		80		100		
180										80		80		100		
190										80						
200										80		100		100		
220										80		100		100		
240										80		100		100		
260 - 300	with 20mm grading									80		100		100		
320 - 460	with 20mm grading									80		100		100		
480 - 500	with 20mm grading									80		100		100		

Other thread lengths for  $l_g \geq 4 \cdot d$  up to max. standard thread length, are allowed

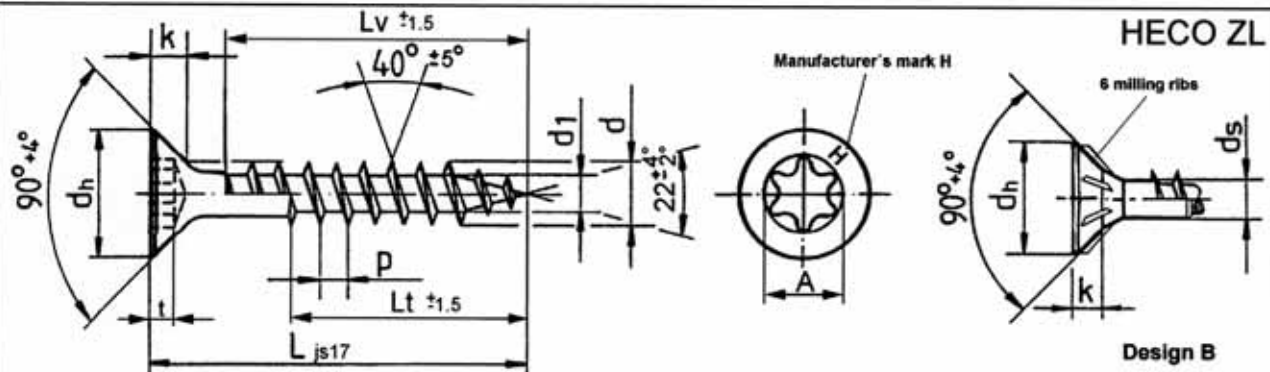
HECO-FIX-plus and HECO-TOPIX self-tapping screws

HECO-FIX-plus Countersunk Head, Pozi-Drive

Annex 3.24

English translation prepared by DIBt

Material: Cold heading acc. HECO specification  
stainless steel



Nom. diameter		Ø 3,5	Ø 4,0	Ø 4,5	Ø 5,0	Ø 6,0	Ø 8,0	Ø 10,0
d	upper tol.	3,5	4,0	4,5	5,0	6,0	7,8	10
	lower tol.	+0,25 -0,3	+0,25 -0,3	+0,25 -0,3	+0,25 -0,3	+0,3 -0,4	+0,4 -0,4	+0,2 -0,5
d1	upper tol.	2,5	2,9	3,1	3,5	4,1	5,2	6,5
	lower tol.	2,2	2,55	2,7	3,05	3,65	4,7	6,0
dh	upper tol.	6,8	7,8	8,7	9,4	11,8	14,8	18,5
	lower tol.	+0,3 -0,3	+0,3 -0,3	+0,4 -0,4	+0,4 -0,4	+0 -0,6	+0 -0,5	+0 -0,5
ds	upper tol.	2,7	3,15	3,45	3,78	4,4	5,8	7,1
	lower tol.	2,6	2,95	3,25	3,58	4,2	5,6	6,9
P ±10%		1,75-2,1	2,0-2,5	2,25-2,8	2,5-3,1	3,0-3,75	4,0	5,0
k	upper tol.	2,1	2,5	2,7	3,0	3,6	4,7	6,0
	lower tol.	1,8	2,1	2,3	2,6	3,1	4,0	5,2
Recess		T15	T15	T25	T25	T25	T40	T40
t	upper tol.	1,47	1,65	1,8	2,15	2,6	3,15	3,85
	lower tol.	1,27	1,4	1,5	1,85	2,3	2,85	3,4
A		3,35	3,35	4,53	4,53	4,53	6,8	6,8
L	Lv							
	Lt							
25	21	15	20	19	20			
30	26	18	25	18	24	24		
35	31	21	30	22	29	22	28	
40	36	23	35	25	34	24	33	24
45	41	28	40	27	39	27	38	28
50	46	31	45	30	44	29	43	31
55			50	37	59	37	48	33
60			54	37	54	37	53	36
65			60	42	60	42	60	43
70			60	42	60	42	60	43
75			60	47	60	48	60	48
80			60	47	60	48	60	48
90					60	60	60	53
100					60	60	60	60
110						70	70	
120						70	70	80
130							70	
140							70	80
150							70	100
160							80	100
180							80	100
190							80	100
200							80	100
220							80	100
240							80	100
260 - 300			with 20mm grading				80	100
320 - 460			with 20mm grading				80	100
480 - 500			with 20mm grading				80	100

Other thread lengths for  $l_g \geq 4 \cdot d$  up to max. standard thread length, are allowed

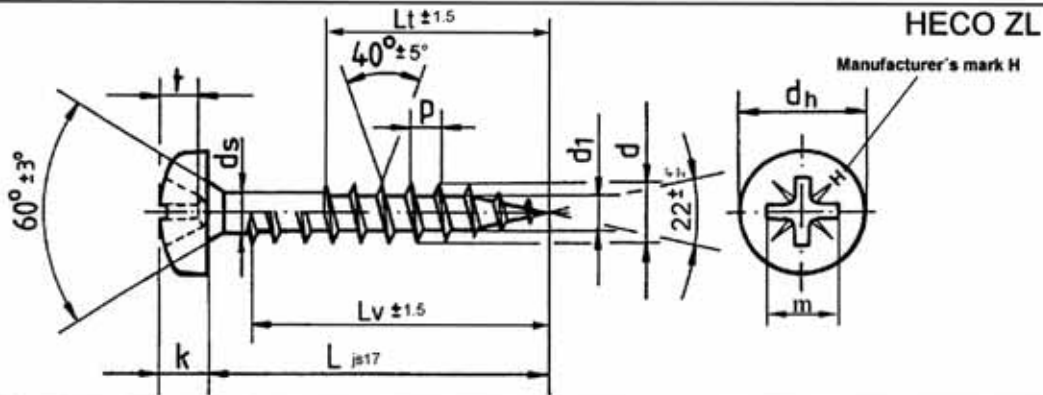
HECO-FIX-plus and HECO-TOPIX self-tapping screws

HECO-FIX-plus Countersunk Head, T-Drive

Annex 3.25

English translation prepared by DIBt

Material: Cold heading acc. HECO specification  
stainless steel



Nom. diameter	Ø 3,5	Ø 4,0	Ø 4,5	Ø 5,0	Ø 6,0	Ø 8,0	Ø 10,0							
<b>d</b>	upper tol. 3,5 +0,25 lower tol. -0,3	4,0 +0,25 -0,3	4,5 +0,25 -0,3	5,0 +0,25 -0,3	6,0 +0,3 -0,4	7,8 +0,4 -0,4	10 +0,2 -0,5							
<b>d1</b>	upper tol. 2,5 lower tol. 2,2	2,9 2,55	3,1 2,7	3,5 3,05	4,1 3,65	5,2 4,7	6,5 6,0							
<b>dh</b>	upper tol. 6,8 +0,3 lower tol. -0,3	7,8 +0,3 -0,3	8,7 +0,4 -0,4	9,4 +0,4 -0,4	11,8 +0 -0,6	14,8 +0 -0,5	18,5 +0 -0,5							
<b>ds</b>	upper tol. 2,7 lower tol. 2,6	3,15 2,95	3,45 3,25	3,78 3,58	4,4 4,2	5,8 5,6	7,1 6,9							
<b>P ±10%</b>	1,75-2,1	2,0-2,5	2,25-2,8	2,5-3,1	3,0-3,75	4,0	5,0							
<b>k</b>	upper tol. 2,6 lower tol. 2,35	2,9 2,55	3,05 2,75	3,4 3,1	4,0 3,7	5,4 5,0	6,5 6,1							
<b>Recess Z</b>	2	2	2	2	3	4	4							
<b>t</b>	upper tol. 1,85 lower tol. 1,6	2,46 2,2	2,72 2,26	3,15 2,69	3,48 3,02	4,17 3,71	5,69 5,23							
<b>m</b>	3,8	4,4	4,6	5,1	6,7	8,5	9,9							
<b>L</b>	Lv	Lt	Lv	Lt	Lv	Lt	Lv	Lt	Lv	Lt	Lv	Lt	Lv	Lt
25	22	15	22	15	22	15	22	15						
30	27	18	27	18	27	18	27	18						
35	32	21	32	22	32	22	32	22						
40	37	23	37	25	37	24	37	24	37	24				
45	42	26	42	27	42	27	42	27	42	28				
50	47	31	47	30	46	29	47	29	46	31				
55			50	37	50	37	51	37	51	33				
60			55	37	54	37	54	37	54	36		42		
65			60	42	60	42	60	42	60	43				
70			60	42	60	42	60	42	60	43		42		
75			60	47	60	47	60	48	60	48				
80			60	47	60	47	60	48	60	48		60		60
90					60	54	60	54	60	53		60		60
100							60		60			60		80
110								70		70				
120									70				80	80
130										70				
140													80	100
150														
160													80	
180													80	100
190													80	100
200													80	100
220													80	100
240													80	100
260 - 300	with 20mm grading												80	100
320 - 460	with 20mm grading													100
480 - 500	with 20mm grading													100

Other thread lengths for  $l_g \geq 4 \cdot d$  up to max. standard thread length, are allowed

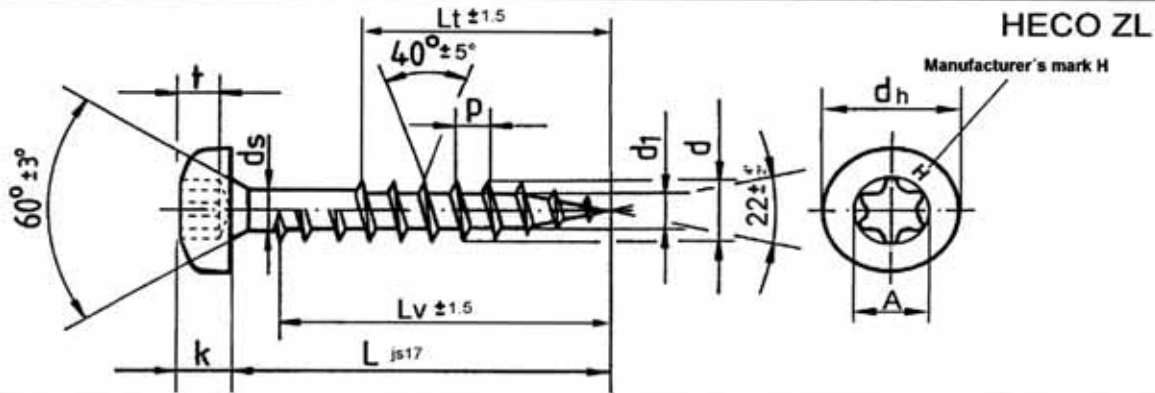
HECO-FIX-plus and HECO-TOPIX self-tapping screws

HECO-FIX-plus Pan-Head, Pozi-Drive

Annex 3.26

English translation prepared by DIBt

Material: Cold heading acc. HECO specification  
stainless steel



Nom. diameter	Ø 3,5	Ø 4,0	Ø 4,5	Ø 5,0	Ø 6,0	Ø 8,0	Ø 10,0							
<i>d</i>	upper tol. 3,5 +0,25 lower tol. -0,3	4,0 +0,25 -0,3	4,5 +0,25 -0,3	5,0 +0,25 -0,3	6,0 +0,3 -0,4	7,8 +0,4 -0,4	10 +0,2 -0,5							
<i>d</i> <sub>1</sub>	upper tol. 2,5 lower tol. 2,2	2,9 2,55	3,1 2,7	3,5 3,05	4,1 3,65	5,2 4,7	6,5 6,0							
<i>d</i> <sub>h</sub>	upper tol. 6,8 +0,3 lower tol. -0,3	7,8 +0,3 -0,3	8,7 +0,4 -0,4	9,4 +0,4 -0,4	11,8 +0 -0,6	14,8 +0 -0,5	18,5 +0 -0,5							
<i>d</i> <sub>s</sub>	upper tol. 2,7 lower tol. 2,6	3,15 2,95	3,45 3,25	3,78 3,58	4,4 4,2	5,8 5,6	7,1 6,9							
<i>P</i> ±10%	1,75-2,1	2,0-2,5	2,25-2,8	2,5-3,1	3,0-3,75	4,0	5,0							
<i>k</i>	upper tol. 2,6 lower tol. 2,35	2,9 2,55	3,05 2,75	3,4 3,1	4,0 3,7	5,4 5,0	6,5 6,1							
Recess	T15	T15	T25	T25	T25	T40	T40							
<i>t</i>	upper tol. 1,85 lower tol. 1,6	2,46 2,2	2,72 2,26	3,15 2,69	3,48 3,02	3,15 2,85	3,85 3,4							
<i>A</i>	3,35	3,35	4,53	4,53	4,53	6,8	6,8							
<i>L</i>	<i>L</i> <sub>v</sub>	<i>L</i> <sub>t</sub>	<i>L</i> <sub>v</sub>	<i>L</i> <sub>t</sub>	<i>L</i> <sub>v</sub>	<i>L</i> <sub>t</sub>	<i>L</i> <sub>v</sub>	<i>L</i> <sub>t</sub>	<i>L</i> <sub>v</sub>	<i>L</i> <sub>t</sub>	<i>L</i> <sub>v</sub>	<i>L</i> <sub>t</sub>	<i>L</i> <sub>v</sub>	<i>L</i> <sub>t</sub>
25	22	15	22		22									
30	27	18	27	18	27		27							
35	32	21	32	22	32	22	32							
40	37	23	37	25	37	24	37	24	37	24				
45	42	28	42	27	42	27	42	27	42	28				
50	47	31	47	30	46	29	47	29	46	31				
55			50	37	50	37	51	37	51	33				
60			55	37	54	37	54	37	54	36	42			
65			60	42	60	42	60	42	60	43				
70			60	42	60	42	60	42	60	43	42			
75			60	47	60	47	60	48	60	48				
80			60	47	60	47	60	48	60	48	60	60		60
90					60	60	54	60	53	60	60	60		60
100					60	60	60	60	60	60	80	80		80
110							70	70	70	70				
120							70	70	70	70	80	80		80
130								70	70	70				
140								70	70	70	80	80		100
150								70	70	70				
160								80	80	80	80	80		100
180								80	80	80	80	80		100
190								80	80	80				
200								80	80	80	100	100		100
220								80	80	80	100	100		100
240								80	80	80	100	100		100
260 - 300	with 20mm grading									80	100	100		100
320 - 460	with 20mm grading										100	100		100
480 - 500	with 20mm grading										100	100		100

Other thread lengths for  $l_g \geq 4 \cdot d$  up to max. standard thread length, are allowed

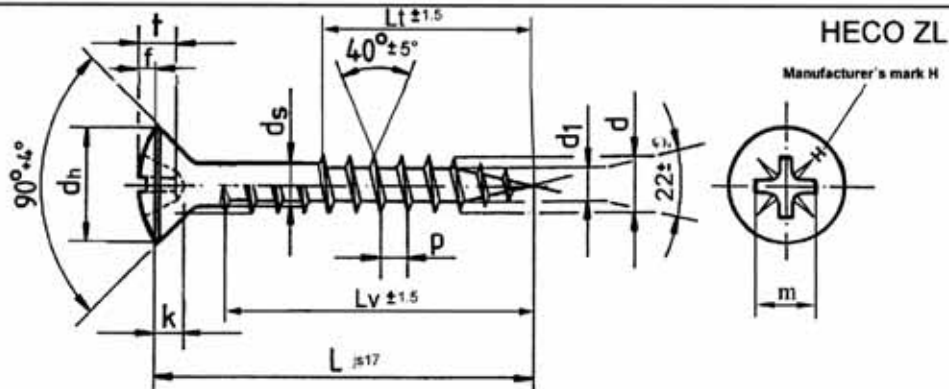
HECO-FIX-plus and HECO-TOPIX self-tapping screws

HECO-FIX-plus Pan-Head, T-Drive

Annex 3.27

English translation prepared by DIBt

Material: Cold heading acc. HECO specification  
stainless steel



Nom. diameter	Ø 3,5		Ø 4,0		Ø 4,5		Ø 5,0		Ø 6,0		Ø 8,0		Ø 10,0		
<b>d</b>	upper tol.	3,5 +0,25	4,0 +0,25	4,5 +0,25	5,0 +0,25	6,0 +0,3	7,8 +0,4	10 +0,2							
	lower tol.	-0,3	-0,3	-0,3	-0,3	-0,4	-0,4	-0,5							
<b>d1</b>	upper tol.	2,5	2,9	3,1	3,5	4,1	5,2	6,5							
	lower tol.	2,2	2,55	2,7	3,05	3,65	4,7	6,0							
<b>dh</b>	upper tol.	6,8 +0,3	7,8 +0,3	8,7 +0,4	9,4 +0,4	11,8 +0	14,8 +0	18,5 +0							
	lower tol.	-0,3	-0,3	-0,4	-0,4	-0,6	-0,5	-0,5							
<b>ds</b>	upper tol.	2,7	3,15	3,45	3,78	4,4	5,8	7,1							
	lower tol.	2,	2,95	3,25	3,58	4,2	5,6	6,9							
<b>P</b>	±10%	1,75-2,1	2,0-2,5	2,25-2,8	2,5-3,1	3,0-3,75	4,0	5,0							
<b>k</b>	upper tol.	2,1	2,5	2,7	3,0	3,6	4,7	6,0							
	lower tol.	1,8	2,1	2,3	2,6	3,1	4,0	5,2							
<b>f</b>	upper tol.	1,2	1,3	1,45	1,55	1,95	2,2	3,3							
	lower tol.	0,9	1,0	1,15	1,15	1,55	1,7	2,8							
<b>Recess Z</b>		2	2	2	2	3	4	4							
<b>t</b>	upper tol.	2,11	2,72	3,15	3,35	3,86	4,52	6,17							
	lower tol.	1,65	2,26	2,69	2,89	3,4	4,06	5,71							
<b>m</b>		4,0	4,6	5,1	5,3	7,1	8,8	10,4							
<b>L</b>		Lv	Lt	Lv	Lt	Lv	Lt	Lv	Lt	Lv	Lt	Lv	Lt	Lv	Lt
25		21	15	20	18	19	20								
30		26	18	25	18	24	24	24							
35		31	21	30	22	29	22	29	22	28					
40		36	23	35	25	34	24	34	24	33	24				
45		41	28	40	27	39	27	39	27	38	28				
50		46	31	45	30	44	29	44	29	43	31				
55				50	37	59	37	49	37	48	33				
60				54	37	54	37	54	37	53	36	42			
65				60	42	60	42	60	42	60	43				
70				60	42	60	42	60	42	60	43	42			
75				60	47	60	47	60	48	60	48				
80				60	47	60	47	60	48	60	48	60	60		60
90						60	60	54	60	53	60	60	60		60
100						60		60	60	60	60	60	60		60
110								70		70					
120								70		70		60			60
130										70					
140										70		60			60
150										70					
160										80					60
180										80		60			60
190										80		60			60
200										80		100			60
220										80		100			60
240										80		100			60
260 - 300		with 20mm grading								80		100			60
320 - 460		with 20mm grading								80		100			60
480 - 500		with 20mm grading								80		100			60

Other thread lengths for  $l_g \geq 4 \cdot d$  up to max. standard thread length, are allowed

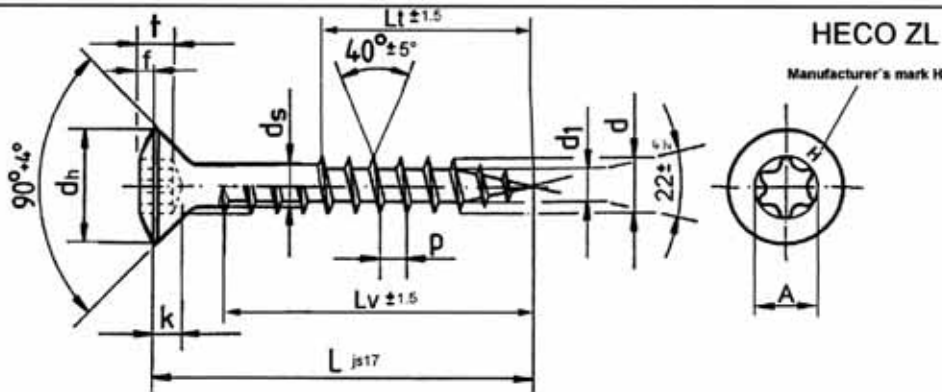
HECO-FIX-plus and HECO-TOPIX self-tapping screws

HECO-FIX-plus Raised Countersunk Head, Pozi-Drive

Annex 3.28

English translation prepared by DIBt

Material: Cold heading acc. HECO specification  
stainless steel



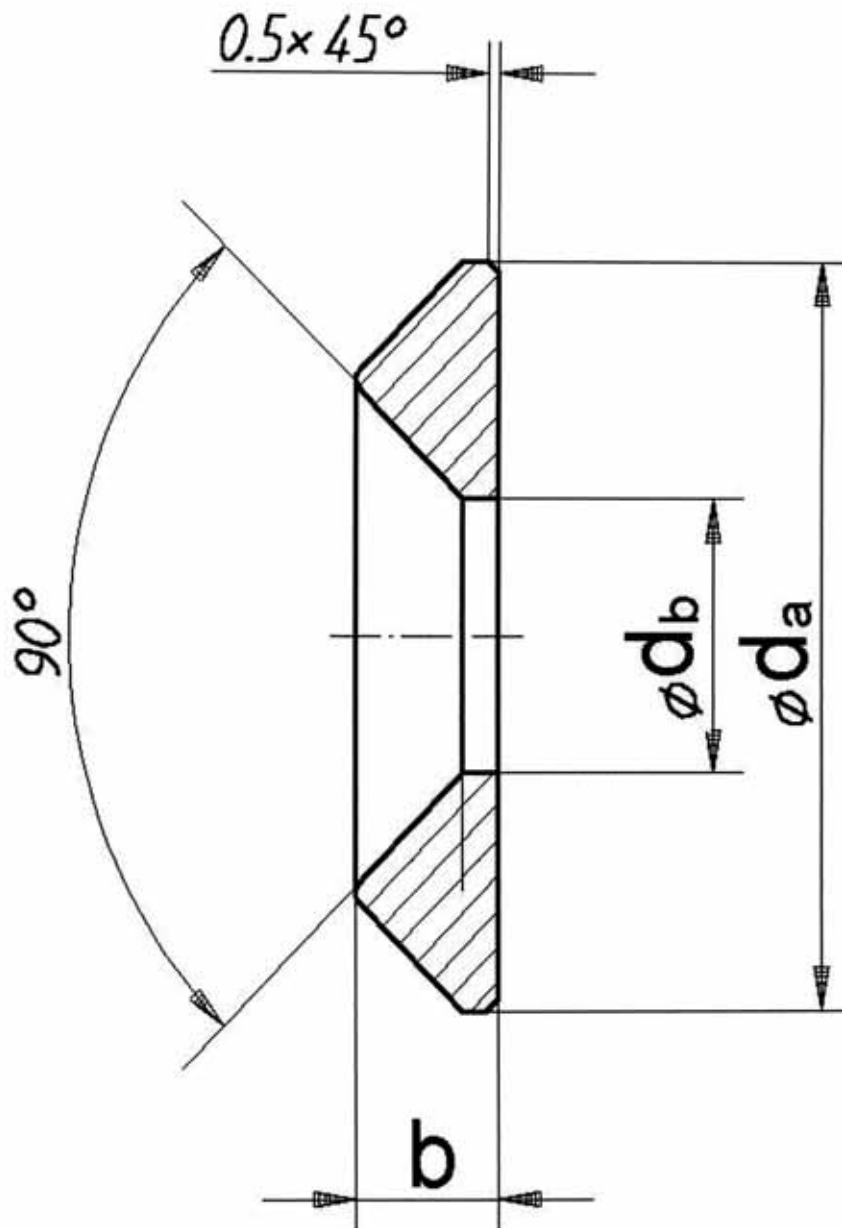
Nom. diameter		Ø 3,5	Ø 4,0	Ø 4,5	Ø 5,0	Ø 6,0	Ø 8,0	Ø 10,0							
d	upper tol. lower tol.	3,5 +0,25 -0,3	4,0 +0,25 -0,3	4,5 +0,25 -0,3	5,0 +0,25 -0,3	6,0 +0,3 -0,4	7,8 +0,4 -0,4	10 +0,2 -0,5							
d1	upper tol. lower tol.	2,5 2,2	2,9 2,55	3,1 2,7	3,5 3,05	4,1 3,65	5,2 4,7	6,5 6,0							
dh	upper tol. lower tol.	6,8 +0,3 -0,3	7,8 +0,3 -0,3	8,7 +0,4 -0,4	9,4 +0,4 -0,4	11,8 +0 -0,6	14,8 +0 -0,5	18,5 +0 -0,5							
ds	upper tol. lower tol.	2,7 2,6	3,15 2,95	3,45 3,25	3,78 3,58	4,4 4,2	5,8 5,6	7,1 6,9							
P	±10%	1,75-2,1	2,0-2,5	2,25-2,8	2,5-3,1	3,0-3,75	4,0	5,0							
k	upper tol. lower tol.	2,1 1,8	2,5 2,1	2,7 2,3	3,0 2,6	3,6 3,1	4,7 4,0	6,0 5,2							
f	upper tol. lower tol.	1,0 0,7	1,3 1,0	1,2 0,9	1,3 0,9	1,95 1,55	2,1 1,7	3,3 2,8							
Recess		T15	T15	T25	T25	T25	T40	T40							
t	upper tol. lower tol.	1,47 1,27	1,65 1,4	1,8 1,5	2,15 1,85	2,6 2,3	3,15 2,85	3,85 3,4							
A		3,35	3,35	4,53	4,53	4,53	6,8	6,8							
L		Lv	Lt	Lv	Lt	Lv	Lt	Lv	Lt	Lv	Lt	Lv	Lt	Lv	Lt
25		21	15	20		19		20							
30		26	18	25	18	24		24							
35		31	21	30	22	29	22	29	22						
40		36	23	35	25	34	24	34	24	33	24				
45		41	28	40	27	39	27	39	27	38	28				
50		46	31	45	30	44	29	44	29	43	31				
55				50	37	59	37	49	37	48	33				
60				54	37	54	37	54	37	53	36		42		
65				60	42	60	42	60	42	60	43				
70				60	42	60	42	60	42	60	43		42		
75				60	47	60	47	60	48	60	48				
80				60	47	60	47	60	48	60	48			60	60
90						60	60	54	60	53	60		60	60	60
100						60		60	60	60	60		80	80	80
110								70		70					
120								70		70			80	80	
130										70					
140										70			80	100	
150										70					
160										80			80	100	
180										80			80	100	100
190										80					
200										80			100	100	100
220										80			100	100	100
240										80			100	100	100
260 - 300		with 20mm grading								80			100	100	100
320 - 460		with 20mm grading								80			100	100	100
480 - 500		with 20mm grading								80			100	100	100

Other thread lengths for  $l_g \geq 4 \cdot d$  up to max. standard thread length, are allowed

HECO-FIX-plus and HECO-TOPIX self-tapping screws

HECO-FIX-plus Raised Countersunk Head, T-Drive

Annex 3.29

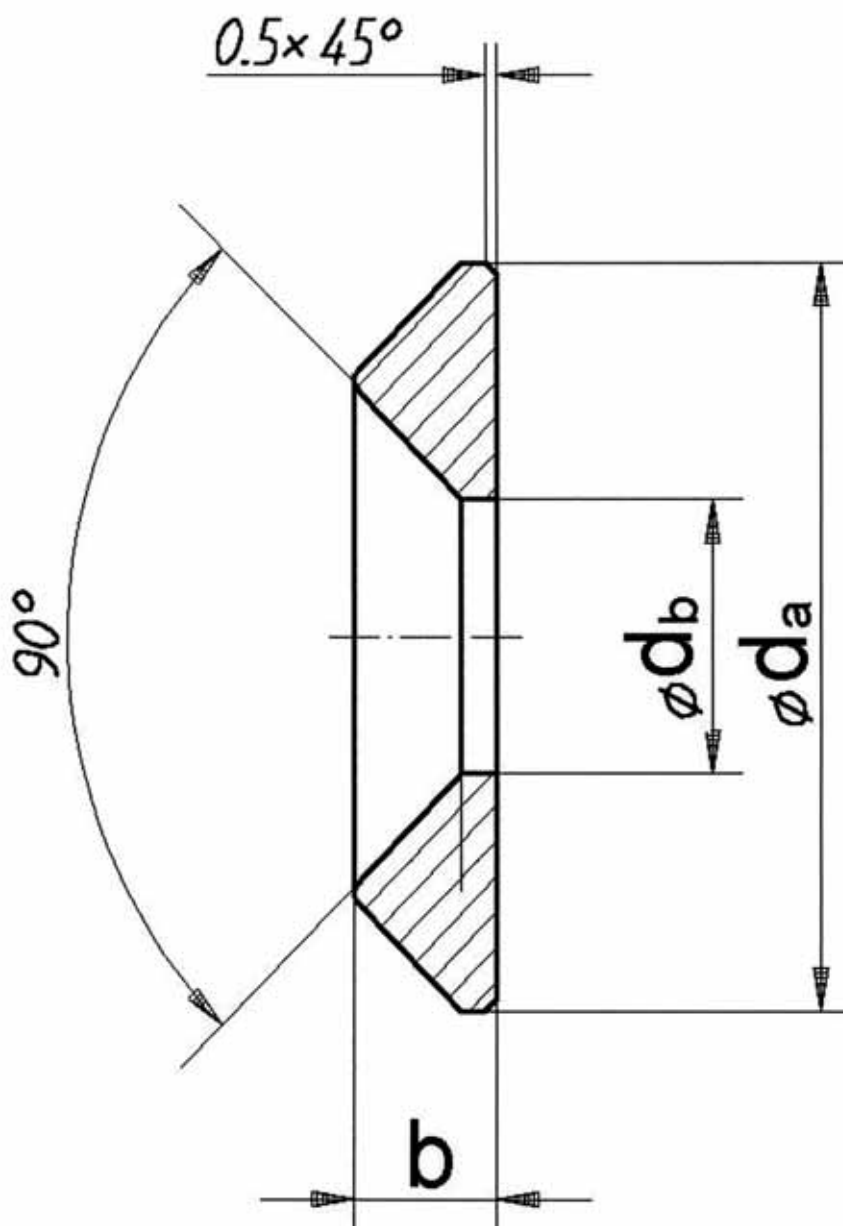


Nom.diam.		Ø 6,0	Ø 8,0	Ø 10,0				
$d_b$	upper tol.	6,5 +0,2	8,4 +0,2	10,5 +0,2				
	lower tol.	-0,2	-0,2	-0,2				
$d_a$	upper tol.	20 +0,5	25 +1,0	30 +1,0				
	lower tol.	-0,5	-1,0	-1,0				
$b$	upper tol.	4,7	5,0	6,25				
	lower tol.	4,3	4,6	5,75				

HECO-FIX-plus and HECO-TOPIX self-tapping screws

HECO Washers

Annex 3.30



Nom. diam.		Ø 6,0	Ø 8,0	Ø 10,0				
$db$	upper tol. lower tol.	6,5 <sup>+0,2</sup> -0,2	8,4 <sup>+0,2</sup> -0,2	10,5 <sup>+0,2</sup> -0,2				
$da$	upper tol. lower tol.	20 <sup>+0,5</sup> -0,5	25 <sup>+1,0</sup> -1,0	30 <sup>+1,0</sup> -1,0				
$b$	upper tol. lower tol.	4,7 4,3	5,0 4,6	6,25 5,75				

HECO-FIX-plus and HECO-TOPIX self-tapping screws

HECO Washers

Annex 3.31





**HECO-Schrauben GmbH & Co. KG**

Dr.-Kurt-Stein-Straße 28 · D-78713 Schramberg

Tel.: +49 (0) 74 22 / 9 89-0 · Fax: +49 (0) 74 22 / 9 89-200

Mail: [info@heco-schrauben.de](mailto:info@heco-schrauben.de) · [www.heco-schrauben.de](http://www.heco-schrauben.de)