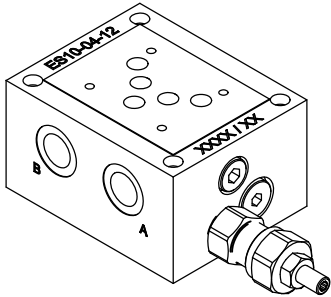
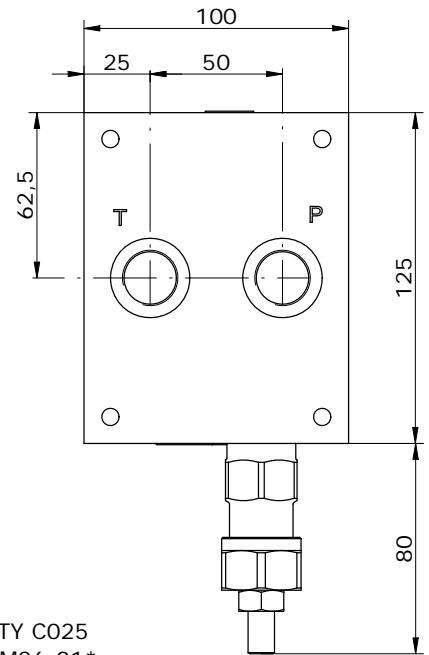
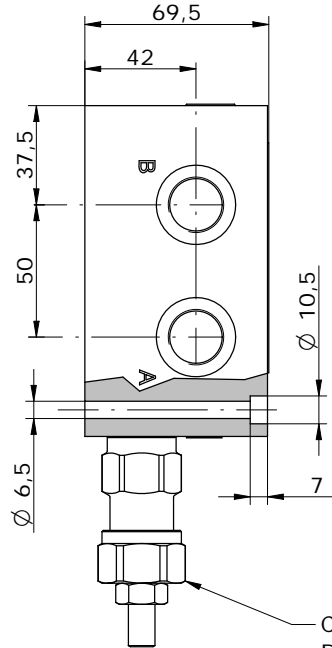
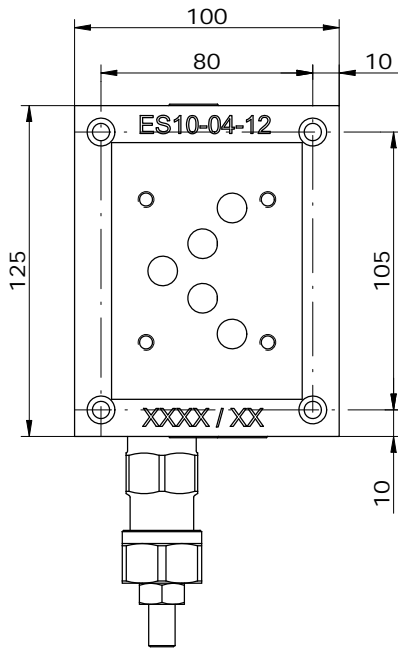
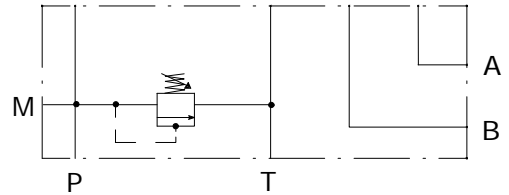


**BASE SINGOLA CETOP 5 CON UTILIZZI A-B LAT. P-T POST.**  
**SUB-PLATE CETOP 5 WITH A-B PORTS ON SIDE P-T BACK**



Schema idraulico  
Hydraulic diagram

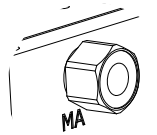


CAVITY C025  
DRV-M26-01\*

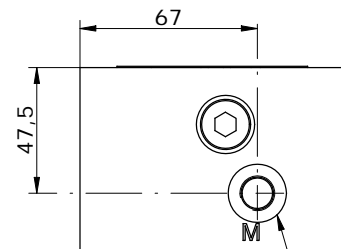
**TIPI DI REGOLAZIONE**  
**REGULATION TYPE**

	<b>H</b> VITE CON CHIAVE ESAGONALE (standard) HEXAGONAL HEAD SCREW
	<b>K</b> POMOLO KNOB
	<b>C</b> FISSA CON CAPPUCCIO COVER CAP
	<b>I</b> INVIOLABILE NON ADJUSTABLE

**OPTIONAL  
FITTING FOR GAUGE AND  
PRESSURE SWITCH**



**FG14**



BSP 1/4G

**E\_ 10 - 04 - - - - -**

**S** = STEEL  
**A** = ALUMINUM

**12** = BSP 1/2G  
**34** = BSP 3/4G

**0** = WITHOUT RELIEF VALVE  
**1** = WITH RELIEF VALVE  
**2** = RELIEF VALVE READY

**OMETTERE / OMIT**  
**H** = HEXAGONAL HEAD SCREW  
**K** = KNOB  
**C** = COVER CAP  
**I** = NOT ADJUSTABLE

**0** = WITHOUT RELIEF VALVE  
**1** = 5-55 BAR  
**2** = 25-110 BAR  
**3** = 75-250 BAR

\*see **CARTDRIGE VALVES** catalog