

Flipper®



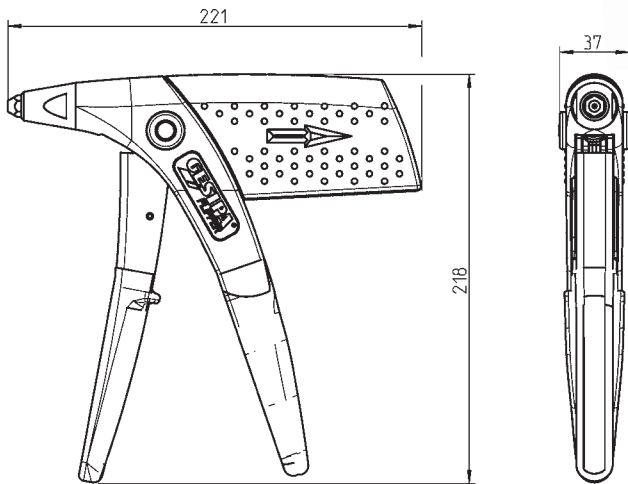
Power and Intelligence – for setting blind rivets

Working Range

Processes all blind rivets up to 5 mm Ø alu and 4 mm Ø steel and stainless steel

Technical Data

Weight:	750 g
Total length:	212 mm
Total stroke:	16.2 mm
Single action stroke:	1.8 mm



Part No. 701 0001

Nosepieces / accessories

- Nosepieces: 10/18, 10/24 und 10/29
- 1 maintenance wrench (on magazine)
- Operating instructions with spare parts list

Advantages

- The force increases when the handle is closed. This is made use of via the special arrangement of the lever when setting blind rivets: ergonomic design
- The required manual force is reduced by around 40 percent if actuated several times.
- Actuation lever with an opening spring for easy single-handed operation
- Jaw mechanism with spring reset for safe and automatic mandrel ejection
- Rivet mandrel collection tank can be clipped to the body casing and is easy to empty
- Larger device lift: a benefit when handling extra long blind rivets
- Sturdy body casing in high-quality die cast aluminium
- Sturdy actuation lever made of tempered steel
- Link pin on anti-twist bearings
- Ergonomic lever positions and handle design

Flipper® Box



Contents

Blind rivet hand tool
Flipper® and **3 Poly-Grip® blind rivet sizes**, in a lightweight plastic carrying case
Weight: approx. 0.9 kg
Dimensions:
220 x 200 x 40 mm

The 3 blind rivet sizes

PolyGrip® alu/steel 3,2 x 8,0 mm; 4,0 x 10,0 mm
and 4,8 x 10,0 mm

Part No. 701 0002

Conversion kit for plastic

Part No. 701 3000

Your partner:



VIBA NV is importeur van GESIPA

T +31 (0)79 330 67 20 bevestigen@viba.nl www.viba.nl

GESIPA Blindniettechnik GmbH
Nordendstraße 13-39
64546 Mörfelden-Walldorf
Germany

T +49 (0) 6105 962 0
F+49 (0) 6105 962 287
info@gesipa.com
www.gesipa.com

A company of **SFS intec**

GESIPA®